



# NICOR<sup>®</sup> OUTDOOR

Area Lights · Wall Packs · Sconces · Canopies ·  
Flood Lights · Cylinders · Bollards · Emergency



# NICOR<sup>®</sup> OUTDOOR

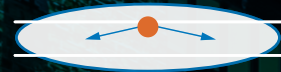
Outdoor lighting is about more than providing light in dark places, it's about bringing those locations to life. Enhance your exterior environment with fixtures designed to meet your unique lighting needs, from general illumination flood and area lights to more specific accent lighting like bollards and sconces.

NICOR's practical, high-performance outdoor lighting solutions deliver impressive lumen output, rugged durability, and extreme efficiency so you can illuminate any space just the way you want.



## DISTRIBUTION TYPES

Here's a look at the various light distribution types offered by NICOR to create superior outdoor lighting.



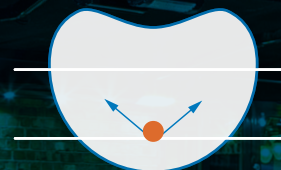
Distribution Type II

Ideal for wide walkways and long/narrow applications



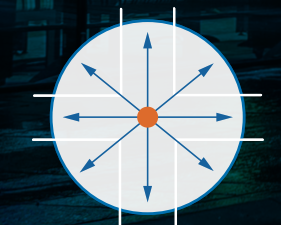
Distribution Type III

Most common distribution, great for roadway and general parking



Distribution Type IV

Wider distribution than Type III, great for perimeter parking areas



Distribution Type V

Symmetrical distribution for 360° coverage, ideal for parking lots and open areas.

## FEATURE LISTING AND RATINGS

NICOR incorporates industry-leading standards into every outdoor fixture, enhancing their efficiency, ease of installation, and overall superiority compared to similar products, enabling them to outperform the competition.

The following guide defines these features to help you choose the right fixture for your application.



### DLC

The DesignLights Consortium® promotes quality, performance, and energy-efficient commercial sector lighting solutions through collaboration among its federal, regional, state, utility, and energy efficiency program members, luminaire manufacturers, lighting designers, and other industry stakeholders throughout the U.S. and Canada. More information can be found at [www.dlc.com](http://www.dlc.com).



### UL

UL is a world leader in product safety testing and certification. For more than 100 years, manufacturers have had their merchandise evaluated and tested for safety risks by an independent, third-party safety certification organization. Last year alone, approximately 14 billion products with the UL Mark entered the global marketplace. More information can be found at [www.ul.com](http://www.ul.com).



### IP65

The Ingress Protection (IP) rating grades resistance of an enclosure against the intrusion of dust or liquids as defined by the International Electrotechnical Commission (IEC). These ratings are widely used throughout the lighting industry. IP65 rated products are dust-tight and are protected against heavy water spray. For more information, visit [www.iec.ch/ip-ratings](http://www.iec.ch/ip-ratings).



### WET LOCATION

These products can be used in wet locations, both indoor and outdoor. A wet location is an interior or exterior location in which water or other liquids may drip, splash, or flow on or against the electrical components of a lighting fixture or ceiling fan. Outdoor Wet Locations include open-air decks and patios, uncovered porches, outdoor dining areas, exterior walls, gazebos, pergolas, and walkways. Indoor Wet Locations include shower enclosures.



### WARRANTY

NICOR Inc. warrants that all NICOR LED branded Solid State Lighting products made by NICOR to be free from defects in material and workmanship under normal consumer usage for a period of 1, 3, or 5 years from date of purchase. For complete warranty information please visit [nicorlighting.com](http://nicorlighting.com).





**OAL3**  
P8



**OWG3**  
P14



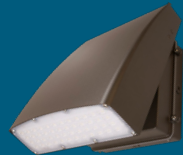
**OWG4**  
P16



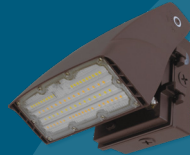
**OWF3**  
P20



**OWR3**  
P22



**OSA3**  
P28



**OSA4**  
P30



**OUC3**  
P32



**OUC4**  
P34



**OUS**  
P36



**OGS**  
P38



**OFL2**  
P40



**OFS**  
P42



**OWC**  
P44



**OTL**  
P48



**OBL**  
P50



**OBH**  
P54



**ODL4**  
P56



**EMO**  
P58



**EOF**  
P60



**EOT**  
P62



EML6



ECL5



EXL5



ERL



ERHWP

**EMERGENCY & EXIT SIGNS** P64

# TABLE OF CONTENTS

**AREA LIGHT** 8 OAL3  
10 OAL4  
12 OAL5

**WALL PACK** 14 OWG3  
16 OWG4  
18 OWG5  
20 OWF3  
22 OWR3  
24 OWT  
26 OWP2

**SCONCE** 28 OSA3  
30 OSA4

**CANOPY** 32 OUC3  
34 OUC4  
36 OUS  
38 OGS

**FLOOD LIGHT** 40 OFL2  
42 OFS

**CYLINDER** 44 OWCR • OWCQ • OWCF  
46 OWCR2

**POLE TOP** 48 OTL

**BOLLARD** 50 OBL  
52 OBL2  
54 OBH

**BARN LIGHT** 56 ODL4

**EMERGENCY** 58 EMO  
60 EOF  
62 EOT  
64 Emergency & Exit Signs

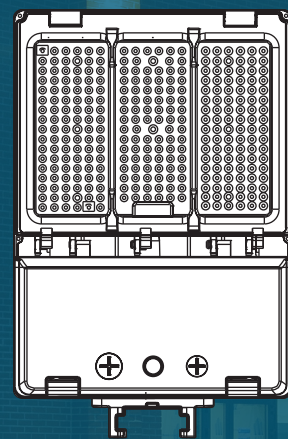


# OAL3

## LED Area Light

The OAL3 LED Area Light delivers high efficiency with maximum energy savings and advanced controls to suit a variety of applications. Its robust, low-profile housing is comprised of die-cast aluminum and has a modern, single piece design that will blend into most environments. Quick to install, the OAL3 is a versatile fixture with field interchangeable precision lenses in Type II, III, IV and V distributions. The OAL3 is available in Wattage selectable 150W/120W/100W and 300W/240W/200W models with selectable CCT (3K/4K/5K) and is ideal for use in parking lots, roadways, recreational or public venues, walkways, auto dealerships, campuses, and other commercial environments.

### Dimensions



150W 11.2 in  
200W (284mm)

2.5 in  
(64mm)

300W 14 in  
(355mm)

150W 17.2 in  
200W (437mm)

300W 21.3 in  
(540mm)



## FEATURES



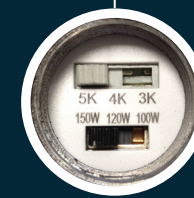
### 3-Pin Photocell Receptacle & Shunt

Bronze, White & Custom Finish



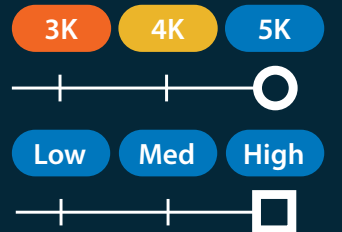
Field Swappable Lenses

Quick Fit Mounting System



### Select the Perfect Light

The OAL3 LED Area Light features selectable wattage and color temperature options via an integrated switch located on the front.



CRI 80+



Lumens 12000-42000



Lifetime >50000 hrs



Beam Angle 52°-152°

### MOUNTING ACCESSORIES



Adjustable Pole Mounting Arm



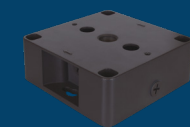
Straight Mounting Arm



Slipfitter Adapter



Trunion Mounting Arm



Wall Mount Box



Pole Options Round & Square

### Ordering Information

Example: OAL3150SUNVSBZ3

Series	Version	Wattage	Voltage	CCTs	Finish	Optic	Daylight Sensor Socket	Motion Sensor Socket
OAL	3	150S	UNV (120-277V)	S (3K/4K/5K)	BZ (Bronze)	2 (Type II)	_ (3Pin Receptacle & Shunt)	_ (None)
		200	HV (277-480V)	5K	WH (White)	3 (Type III)	7 (7Pin Receptacle & Shunt)	S (12V 3.5mm Socket)
		300S			CC (Custom)	4 (Type IV)		
						5 (Type V)		

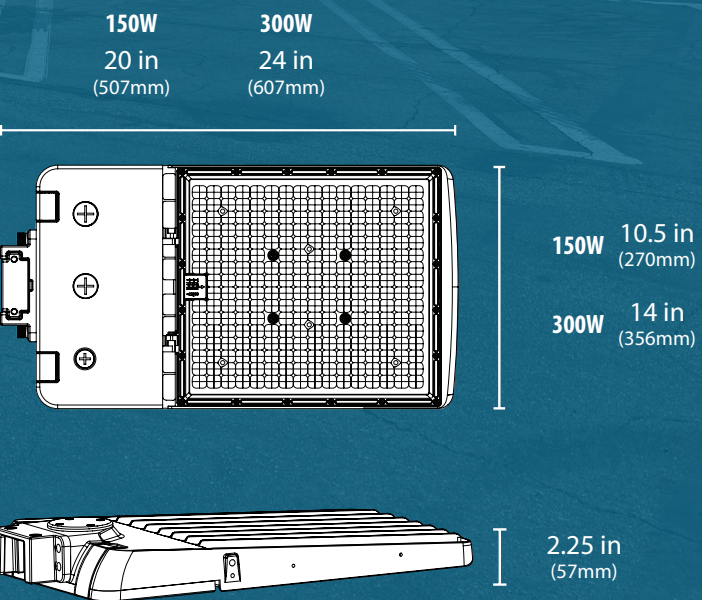
See spec-sheet for additional ordering information.

# OAL4

## LED Area Light

Introducing the OAL4 Triple-Select LED Area Light. This versatile lighting solution offers selectable wattage, color temperature (CCT), and beam distribution, ensuring maximum flexibility for various applications. Offering 150/120/100W and 300/240/200W models with 3/4/5K and Type III/IV/V standard customized lighting is as easy as the flick of a switch. Includes an adjustable, multi-function mounting arm (pole+slipfitter) for simpler, quicker installation. Illuminate your space with the power of choice. Whether for parking lots, campuses, pathways, or any large open area, the OAL4 delivers tailored lighting solutions with unparalleled flexibility, efficiency, and reliability.

### Dimensions



## FEATURES

### Innovative Solutions

Available in 150W and 300W, Bronze or White, with 120-277VAC or 277-480VAC options.  
\*See spec-sheet for ordering information

### Selectable Distribution

Selectable optics let you switch distribution types instantly, no lens swapping needed!

### Flexible Installation

The OAL4 features a Multi-Mount Arm, combining straight arms, pole arms, and slipfitters into a quick-install dovetail design.



### Photocell Receptacle & Shunt

Every OAL4 comes standard with a 3-pin receptacle and shunt, with an optional 7-pin also available.



**CRI**  
80+



**Lumens**  
14236-45653



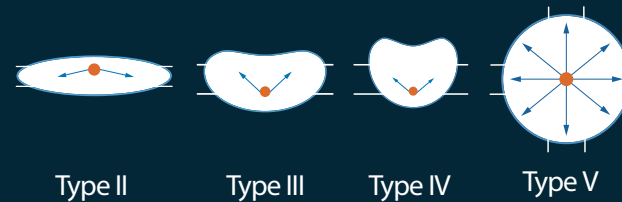
**Lifetime**  
>50,000 hrs



### Selectable Distribution

Choose between two factory-installed Selectable Optics:

TYPE A: Selectable Type III-IV-V  
TYPE B: Selectable Type II-III-IV



### Selectable CCT & Wattage

The OAL4 LED Area light features selectable optic, wattage, and color temperature options via an integrated switch located on the front.



### ACCESSORIES



### Ordering Information

Series	Version	Wattage	Voltage	CCTs	CRI	Finish	Optic	Daylight Sensor Socket	Motion Sensor Socket
OAL	4	150S	U (120-277V)	S (3K/4K/5K)	8 (80+)	BZ (Bronze)	A (Type III/IV/V)	_ (3Pin Receptacle & Shunt)	S (12V 3-pin Socket)
		300S	H (277-480V)			WH (White)*	B (Type II/III/IV)	7 (7Pin Receptacle & Shunt)**	

Example: OAL4150SUS8BZAS

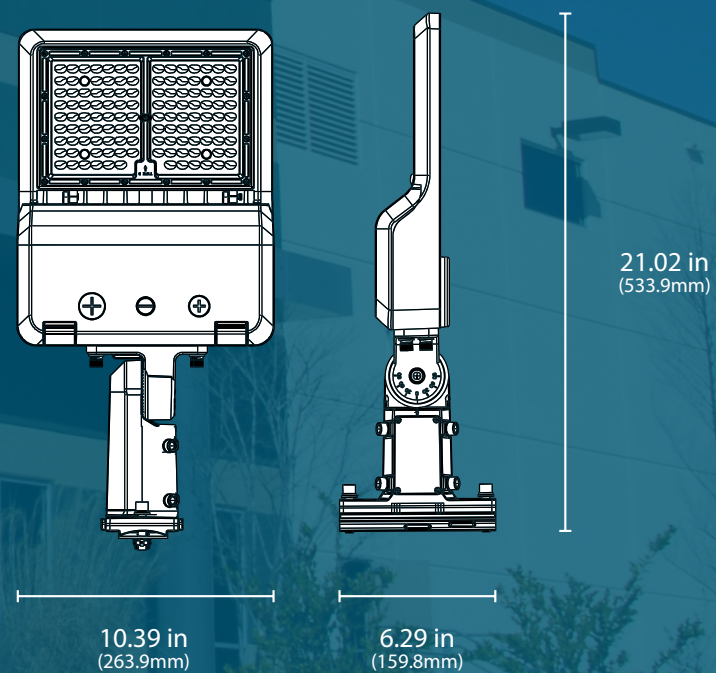
Specifications and dimensions subject to change without notice.  
\* White available on U (120-277V) models only  
\*\* Contact factory for MOQ and lead time.

# OAL5

## LED Area Light

The OAL5 LED Area Light delivers high efficiency with maximum energy savings and advanced controls to suit a variety of applications. Its robust, low-profile housing is comprised of die-cast aluminum and includes an adjustable, multi-function mounting arm (pole+slipfitter) for simpler, quicker installation. The OAL5 is a versatile fixture offering 50/60/80W selectability with 3/4/5K CCT and distribution options of Type II, III, IV and V. It is ideal for lower mounting heights in parking lots, recreational or public venues, walkways, campuses, and other commercial environments.

### Dimensions



## FEATURES

### 3-Pin Photocell Receptacle & Shunt

Every OAL5 comes standard with a 3-pin receptacle and shunt, with a 7-pin option also available.

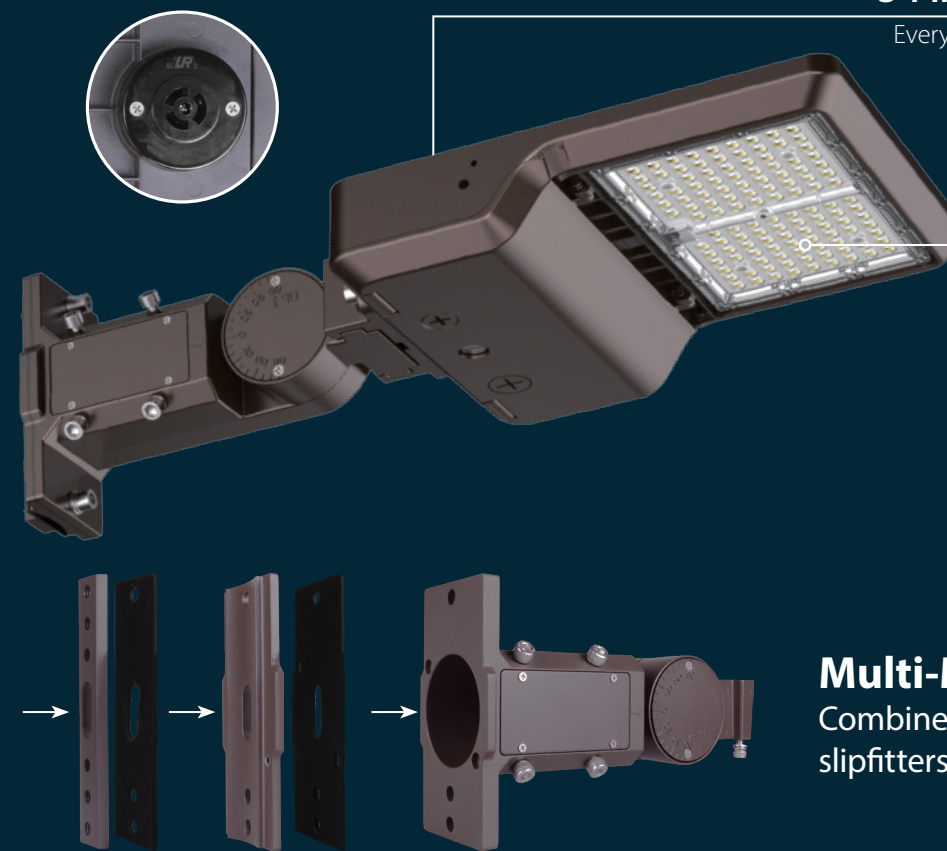
### Field Swappable lenses

Quickly adapt or replace lenses on-site for versatile lighting solutions.



### Multi-Mount Arm

Combines straight arms, pole arms, and slipfitters into a quick-install dovetail design

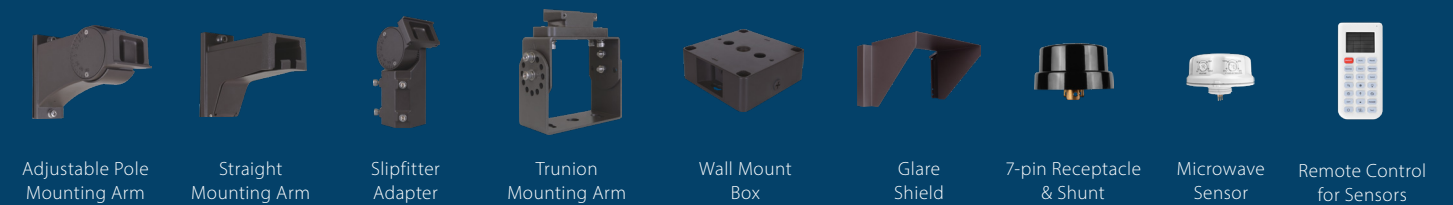


### Select the Perfect Light

The OAL5 LED Area light features low selectable wattage (high-voltage option available) and color temperature options via an integrated switch located on the front



### ACCESSORIES



### Ordering Information

Example: OAL5080SUS8BZ3S

Series	Version	Wattage	Voltage	CCTs	CRI	Finish	Optic	Photocell Receptacle	Motion Sensor Socket
OAL	5	080S (50/60/80W)	U (120-277V) H (277-480V)	S (3K/4K/5K)	8 (80+)	BZ (Bronze)	2 (Type II) ** 3 (Type III) * 4 (Type IV) ** 5 (Type V) **	Blank (3 pin with cap) 7 (7 pin)	S (12V Socket)

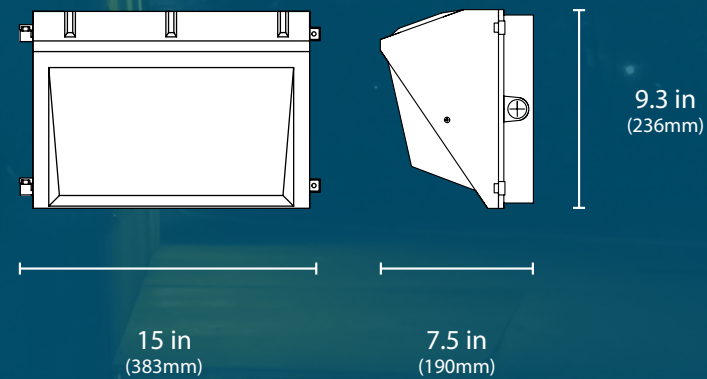
Specifications and dimensions subject to change without notice. \* Stocked distribution \*\* Distribution type has modification lead time. Consult NICOR.

# OWG3

## LED Wall Pack

The OWG3 LED Wall Pack features the next-generation design of a traditional wall packs with Single CCT and Selectable CCT models. With output up to 156 lumens per watt, the OWG3 delivers powerful light with uniform light distribution and is easy to install on walls or directly to a J-Box with its separable hinged backplate. On Select models, an internal switch offers the ability to adjust the CCT to 3000K, 4000K, 5000K, or 5700K. The OWG3 has three knockouts for through-wiring or sensor additions and is an ideal solution for security and perimeter lighting.

### Dimensions



## FEATURES



### Separable Hinged Backplate

Toolless for easy installation and maintenance

### Three ½" Knockouts

For conduit feed or sensors

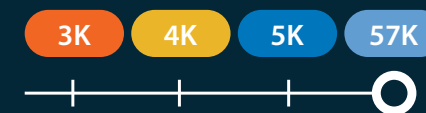
### Tempered Clear Prismatic Glass

Allows maximum lumen output



### Select the Perfect Light

The OWG3 LED Wall Pack features an optional integrated selectable color temperature switch.



### Mounting and Installation

Multiple mounting configurations possible



### Ordering Information

Example: OWG3050MV50BZP

Series	Version	Wattage	Voltage	CCTs	CRI Finish	Photocell
OWG	3	050 (50W - 7000lm)	MV (120-277V)	5K (5000K)	BZ (Bronze)	Blank (None)
		060 (60W - 7200lm)		S (3K/4K/5K/57K)		P (Photocell)
		080 (80W - 11000lm)				
		120 (120W - 16000lm)				

See spec-sheet for additional ordering information.

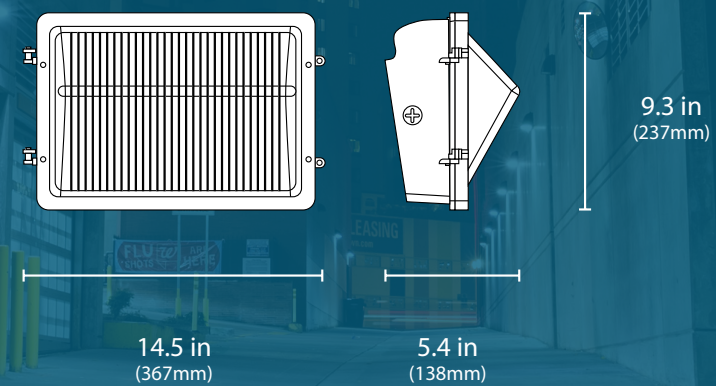


# OWG4

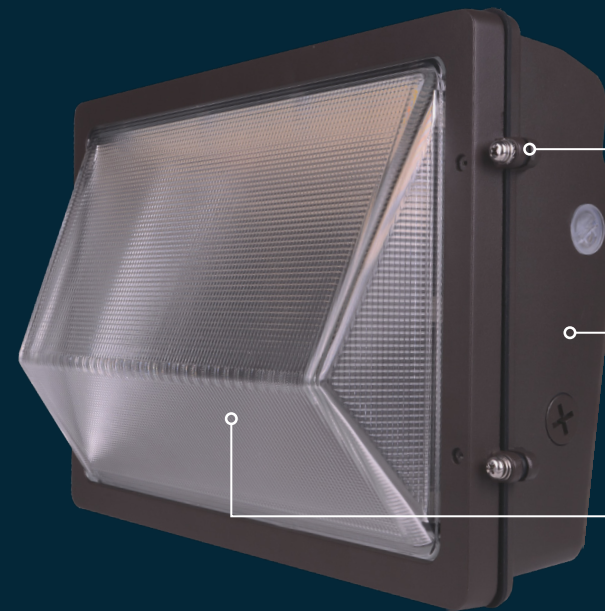
## LED Wall Pack

The OWG4 LED Wall Pack features the next-generation design of a traditional wall pack with Selectable CCT and Selectable Lumens (wattage). With output up to 135 lumens per watt, the OWG4 delivers powerful light with uniform light distribution and is easy to install on walls or directly to a J-Box with its separable hinged backplate. Internal switches offer the ability to adjust the CCT to 3000K/4000K/5000K and Lumens to High/Medium/Low. The OWG4 has three knockouts for through-wiring or sensor additions and is an ideal solution for security and perimeter lighting. An integral photocell is standard, with the ability to be enabled if desired.

### Dimensions



## FEATURES



### Separable Hinged Backplate

Toolless for easy installation and maintenance

### Die-Cast Aluminum Housing

Fine-textured, UV-stabilized powder coat bronze or white finish

### Tempered Clear Prismatic Glass

Allows maximum lumen output



**CRI**  
80+



**Lumens**  
7813-13231



**Lifetime**  
>50000 hrs



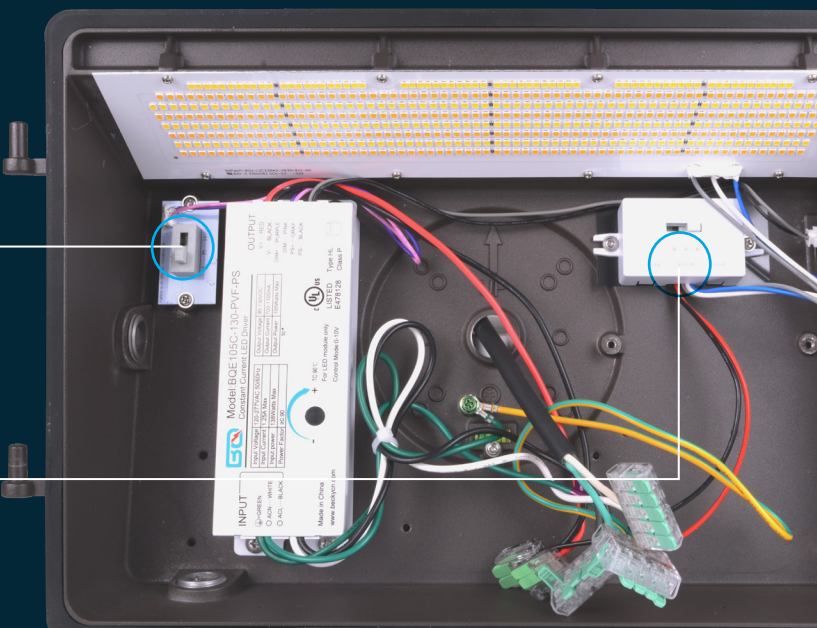
**Beam Angle**  
70°-92°

### Selectable Wattage

60W 80W 100W

### Selectable CCT

3K 4K 5K



### Ordering Information

Example: OWG4100SUNVSBZ

Series	Version	Wattage	Voltage	CCTs	Finish	Emergency
OWG	4	100S (60/80/100W)	UNV (120-277V)	S (3K/4K/5K)	BZ (Bronze) WH (White)	_ (None) E08 (8W)

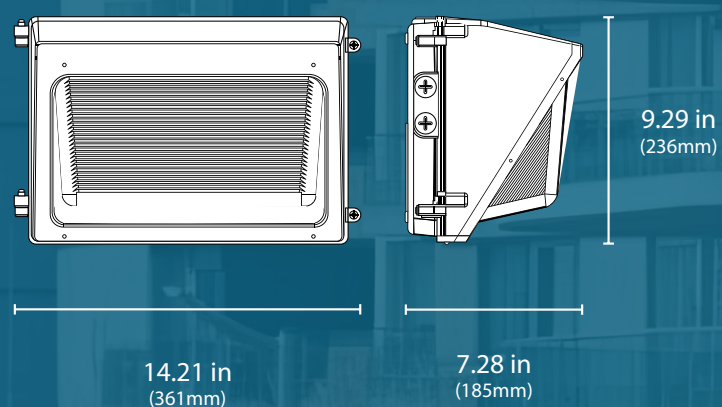
See spec-sheet for additional ordering information.

# OWG5

## LED Wall Pack

The OWG5 LED Wall Pack is an enhanced version of the traditional wall pack design, featuring selectable CCT (correlated color temperature), an optional adjustable lumens (wattage) setting, and now with adjustable beam throw. With an impressive output of up to 145 lumens per watt, the OWG5 provides powerful and evenly distributed light. Its installation is hassle-free, allowing attachment to walls or direct mounting on a J-Box using its separable hinged backplate. An internal switch board enables users to customize the CCT within the range of 3000/4000/5000K, adjust the wattage output to high, medium, or low settings, and customize the beam angle to have a near, mid, or far throw. An integral photocell comes standard and can be enabled as needed. Equipped with four knockouts for through-wiring or sensor additions, the OWG5 is an excellent choice for security and perimeter lighting various commercial locations and multi-family complexes.

### Dimensions



## FEATURES



### Separable Hinged Backplate

Toolless for easy installation and maintenance

### Die-Cast Aluminum Housing

Fine-textured, UV-stabilized powder coat finish, built for the outdoors

### Tempered Clear Prismatic Glass

Durable glass lens resists yellowing for clear, consistent lighting in any outdoor condition.

-   
**CRI**  
80+
-   
**Lumens**  
6050-18694
-   
**Lifetime**  
>50,000 hrs
-   
**Beam Throw**  
selectable

### Select the Perfect Light

The OWG5 LED Wall Pack features three selectable options that allows for a more customized lighting for your specific needs.

**30K** **40K** **50K**

**40W** **50W** **60W**

**50W** **65W** **80W**

**80W** **100W** **120W**

**NEAR**

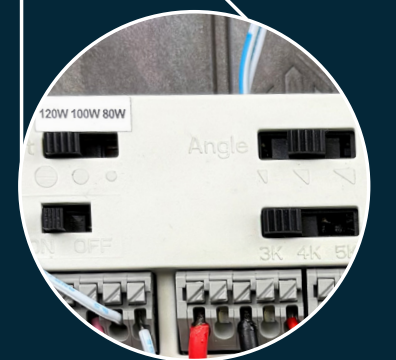
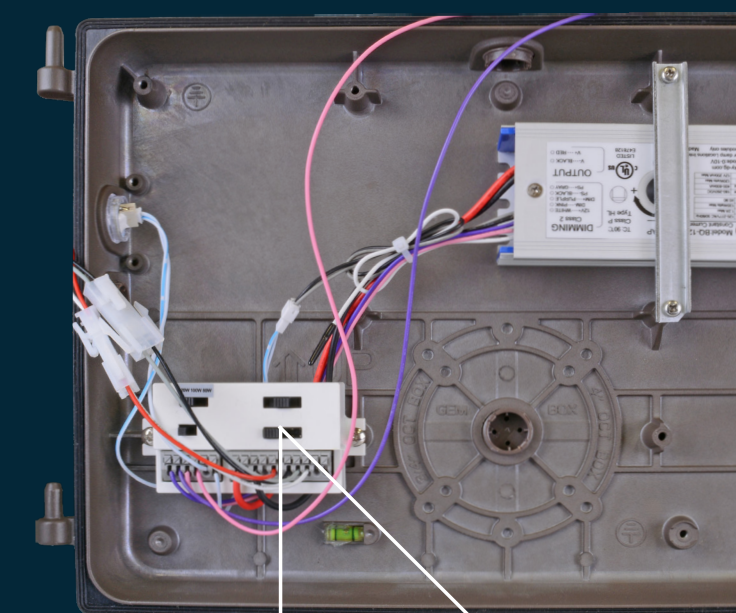
Ideal for walkway & perimeter lighting

**MID**

Ideal for general area lighting

**FAR**

For maximum throw and lighting



Ordering Information								Example: OWG5080SUS8BZ		
Series	Version	Wattage	Voltage	CCTs-Select	CRI	Finish	Sensor Socket	Emergency		
OWG	5	060S (40/50/60W)	UNV (120-277V)	S (3K/4K/5K)	8 (80) CRI	BZ (Bronze)	_ (None)	_ (None)		
		080S (50/65/80W)							S (Socket)	E (9W battery)
		120S (80/100/120W)								

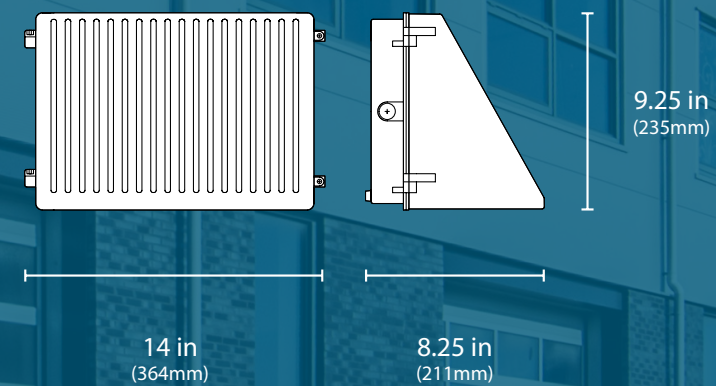
See spec-sheet for additional ordering information.

# OWF3

## Full Cut-Off LED Wall Pack

The Full Cut-Off OWF3 LED Wall Pack features a classic, architectural style with optimal performance. With output of over 10000 lumens, the OWF3 delivers uniform light distribution with minimized glare using a Type III distribution precision lens. It is easy to install on walls or directly to a J-Box with its separable hinged backplate and has three knockouts for through-wiring or sensor additions. An internal switch offers the ability to adjust the CCT to 3000K, 4000K, 5000K, or 5700K. The OWF3 is perfect for perimeter lighting as well as building entrances, walkways, or other commercial spaces where general purpose lighting is desired.

### Dimensions



## FEATURES



### Die-Cast Aluminum Housing

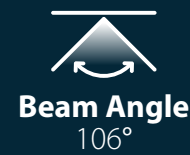
Fine-textured, UV-stabilized powder coat bronze finish

### Separable Hinged Backplate

Toolless for easy installation and maintenance

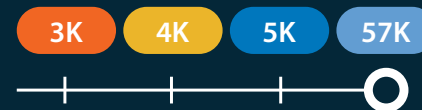
### Injection-Molded Clear Acrylic Lens

Type III Distribution with dual emitter array for maximum light output



### Select the Perfect Light

The OWF LED Wall Pack features selectable color temperature options via an integrated switch located on the backside.



Ordering Information						Example: OWF3080MVSZ
Series	Version	Wattage	Voltage	CCTs	Finish	Photocell
OWF	3	080 (80W)	MV (120-277V)	S (3K/4K/5K/57K)	BZ (Bronze)	Blank (None)
						P (Photocell)

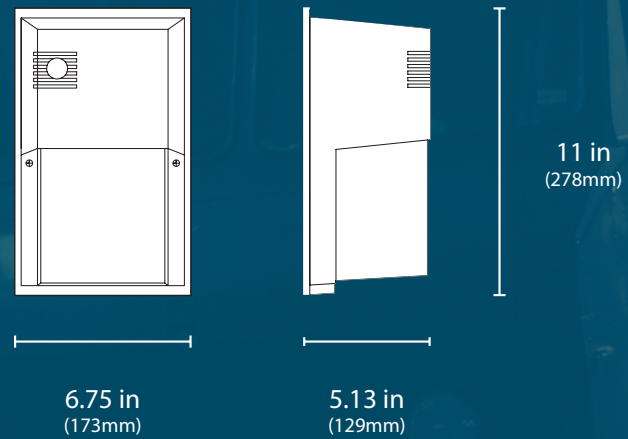
See spec-sheet for additional ordering information.

# OWR3

## LED Wall Pack

The OWR3 LED Wall Pack combines a simple rectangular style with high-performance and efficiency. The OWR3 features a single-piece, die-cast aluminum housing with a ribbed, UV- and fire-resistant lens for even light distribution. It installs easily into a 4/O J-Box and has a standard photocell. The OWR3 is recommended for perimeter lighting as well as building entrances, garages, tunnels, other commercial spaces where general purpose lighting is desired.

### Dimensions



## FEATURES



### Photocell Standard

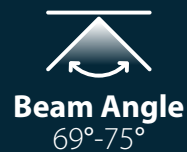
Included photocell allows the lights to turn on when it becomes dark outside

### UV and Fire Resistant Lens

Clear ribbed lens for even light distribution

### Easy Installation

Fits standard 4/O junction boxes



### 5K Single CCT



Ordering Information						Example: OWR3030MV50BZ
Series	Version	Wattage	Voltage	CCTs	Finish	
OWR	3	030 (30W)	MV (120-277V)	50 (5000K)	BZ (Bronze)	

See spec-sheet for additional ordering information.

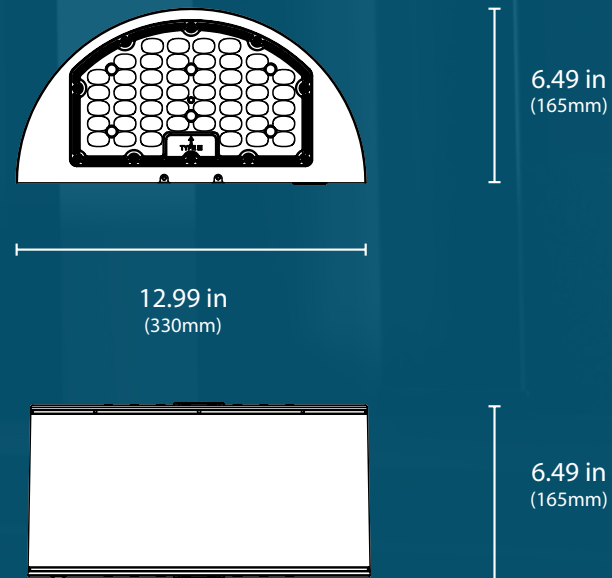


# OWT

## Half Moon Wall Pack

The half moon LED Wall Pack is an architectural style wall pack with customizable performance settings. It is easy to install on walls or directly on a J-Box with its mounting bracket. An internal switch offers the ability to adjust the wattage, CCT, and optional uplight operation for full light distribution. This curved wall pack features an integrated photocell and knockout for alternative sensor installation. The OWT is suitable for perimeter lighting as well as building entrances, walkways, or other commercial spaces where general-purpose lighting is desired.

### Dimensions



## FEATURES



### Flexible Distribution

Choose between Full distribution (80% down/20% up) or Down-only distribution (100% down) to suit your application

### Waterproof Performance

Type III optic with a tight rubber seal and glass lens for superior waterproof durability

### Easy Sensor Installation

Accessible knockout location for sensor placement

### Select the Perfect Light

The OWT Half Moon Wall Pack features selectable wattage and color temperature options via an integrated switch located on the backside.

- CRI** 80+
- Lumens** 7559-12441
- Lifetime** >50,000 hrs
- Beam Angles** Down/Full

30K 40K 50K 48W 64W 80W

### Ordering Information Example: OWT1080SU8BZ3

Series	Version	Wattage	Voltage	CCTs	CRI	Finish	Optic	Sensor Socket	Emergency
OWT	1	080S (48/64/80W)	U (120-277V)	S (3K/4K/5K)	8 (80 CRI)	BZ (Bronze)	3 (Type III)	_ (None)	_ (None)
							4 (Type IV)	S (Socket)*	E (9W)
							5 (Type V)		

See spec-sheet for additional ordering information. \* Sensor socket versions of the product are not DLC listed.

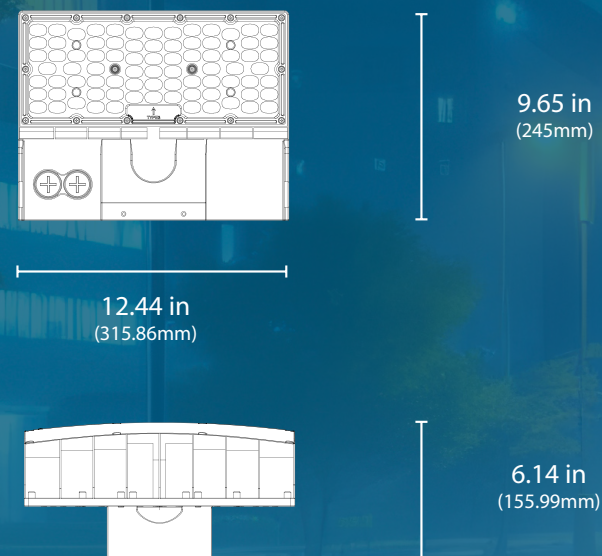


# OWP2

## Full Cut Off LED Wall Pack

The Full Cut-Off LED Wall Pack features a modern, architectural style with optimal performance. With an output up to 15,500 lumens, the OWP delivers tailored light distribution with available Type II, III, or IV precision lenses. It is easy to install on walls or directly on a J-Box with its included mounting bracket and it has two knockouts for through-wiring. Easily accessible switches offers the ability to adjust the CCT and wattage. The OWP is suitable for perimeter lighting as well as building entrances, walkways, or other commercial spaces where general-purpose lighting is desired.

### Dimensions



## FEATURES



### Die-Cast Aluminum Housing

Fine-textured, UV-stabilized powder coat bronze finish

### Injection-Molded Acrylic Lens

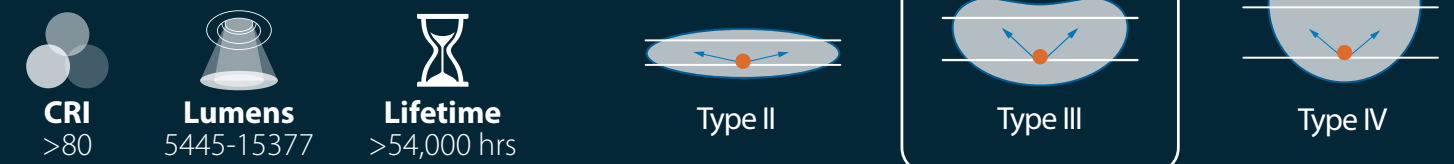
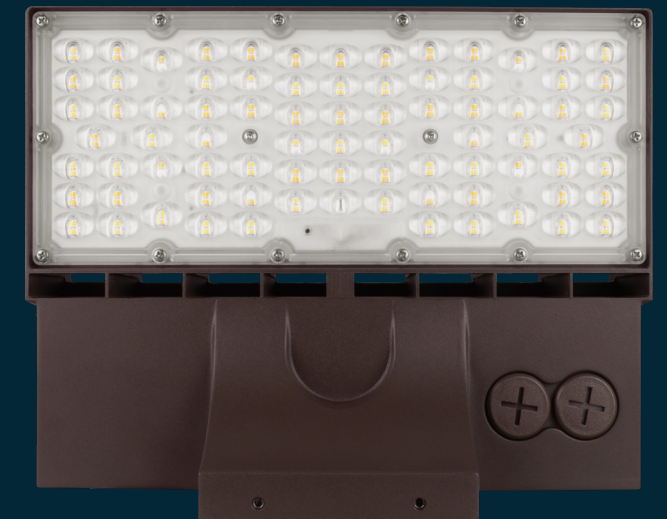
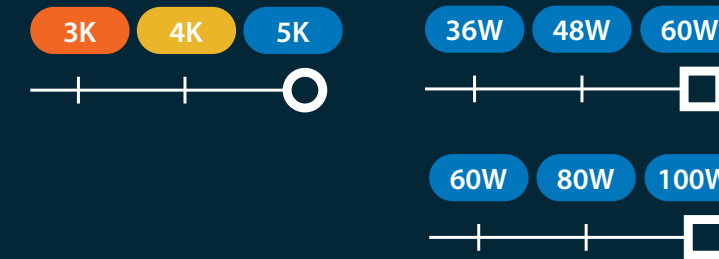
Type III Distribution with dual emitter array for maximum light output

### Photocell Control

Integrated photocell with easy on/off switch for adaptable lighting control

### Select the Perfect Light

The OWP2 Full Cut Off LED Wall Pack features selectable wattage and color temperature options via an integrated switch located on the backside.



Optional Type II and Type IV optics available.

Ordering Information										Example: OWP2060SUNVS8BZ
Series	Version	Wattage	Voltage	CCTs	CRI	Finish	Optic	Sensor Socket	Emergency	
OWP	2	060S (36/48/60W)	U (120-277V)	S (3K/4K/5K)	8 (>80 CRI)	BZ (Bronze)	3 (Type III)	_ (None)	_ (None)	
		100S (60/80/100W)					2 (Type II)	S (Socket)*	E (9W Pack)**	
							4 (Type IV)			

See spec-sheet for additional ordering information. \* Sensor socket versions of the product are not DLC listed. \*\* Internal 9W EM for 60W fixture only. 100W fixture will need remote EM kit.

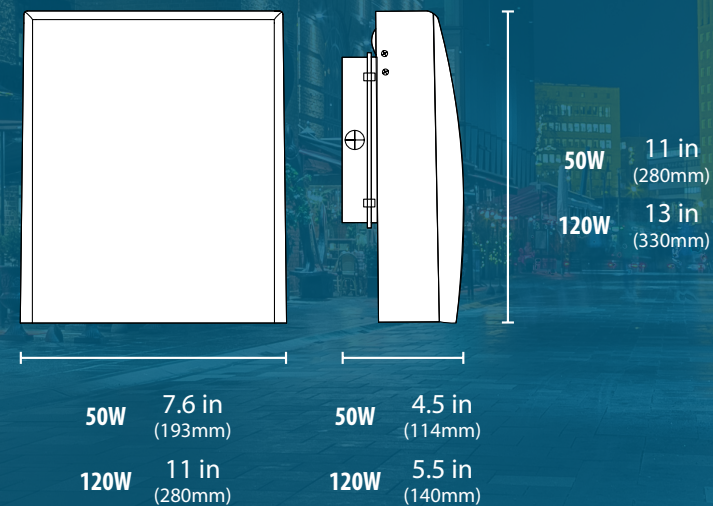


# OSA3

## LED Adjustable Sconce

The OSA3 LED Adjustable Sconce features a next-generation design with Single and Selectable CCT models. With efficiencies up to 140 lumens per watt, the OSA3 provides optimal light in a compact, adjustable design. Using a separable hinged backplate, the OSA3 is easy to install on walls, directly to a J-Box, and is adjustable from 0 to 90-degrees. On Select models, an internal switch offers the ability to adjust the CCT to 3000K, 4000K, 5000K, or 5700K. It is an economical and efficient replacement for a traditional wall pack and is ideal for accent or general purpose exterior lighting.

### Dimensions



# FEATURES



### Adjustable Range

Adjustable to 90° for maximum light coverage

### UV/Fire Resistant Lens

Improved injection-molded acrylic lens for uniform lighting with maximum output

### Hinged Backplate

Toolless, separable hinged backplate helps make installation easy



**CRI**  
70+



**Lumens**  
6072-17239



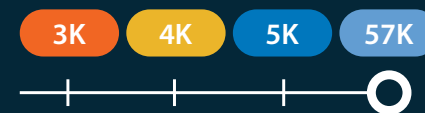
**Lifetime**  
>54000 hrs



**Beam Angle**  
88°-113°

### Select the Perfect Light

The OSA3 Adjustable Sconce features selectable color temperature options via an integrated switch.



### Ordering Information

Example: OSA3050MV50BZ

Series	Version	Wattage	Voltage	CCTs	Finish	FALO Switch	Photocell
OSA	3	050 (50W)	MV (120-277V)	50 (5000K)*	BZ (Bronze)	Blank (Ver. 0)	Blank (None)
		120 (120W)		S (3K/4K/5K/57K)		A (Ver. 1)	P (Photocell)

\*5000K available on 50W only.  
See spec-sheet for additional ordering information.

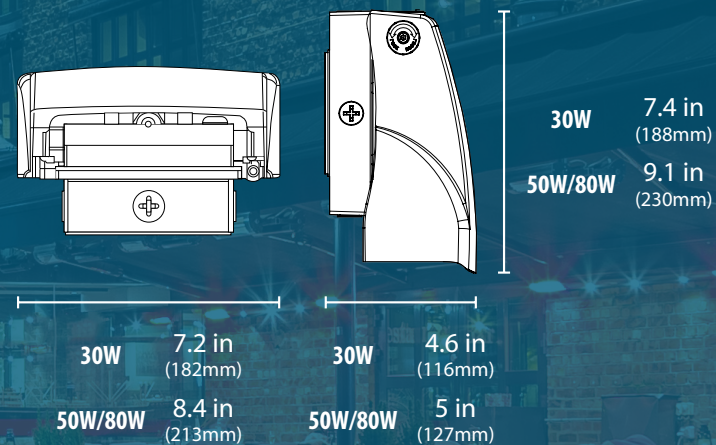


# OSA4

## LED Adjustable Sconce

The OSA4 LED Adjustable Sconce features next-generation design with Selectable CCT/Wattage models. With efficiencies up to 138 lumens per watt, the OSA provides optimal light in a compact, adjustable design. Using a separable hinged backplate, the OSA is easy to install on walls or directly to a J-Box, and is adjustable from 0 to 90-degrees. An internal switch offers the ability to adjust the Wattage to low, medium, or high setting and to select the CCT (3000K/4000K/5000K). It is an economical and efficient replacement for a traditional wall pack and is ideal for accent or general purpose exterior lighting.

### Dimensions

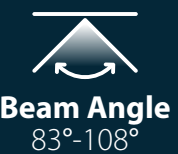
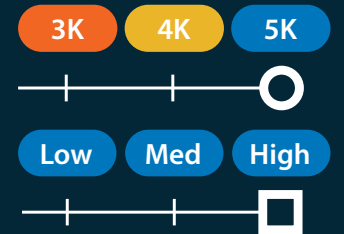


## FEATURES



### Select the Perfect Light

The OSA4 Adjustable Sconce features selectable wattage and color temperature options via an integrated switch.



### Advanced LED Technology

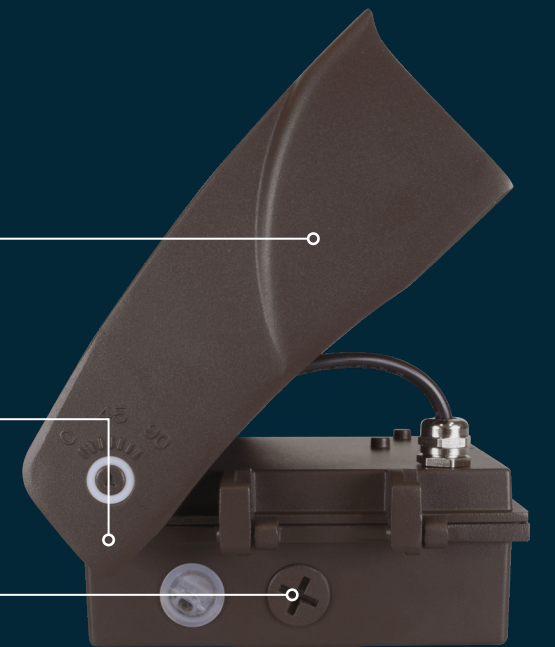
Features Selectable CCT and Wattage for true customization

### Adjustable Head

Adjustable to 90° for maximum light coverage

### Flexible Wiring & Installation

Four 1/2" knockouts for conduit feed or sensors



Ordering Information					Example: OSA4050SUNVSBZ
Series	Version	Wattage	Voltage	CCTs	Finish
OSA	4	030S (12W/25W/30W)	UNV (120-277V)	S (3K/4K/5K)	BZ (Bronze)
		050S (30W/40W/50W)			WH (White)
		080S (60W/70W/80W)			

See spec-sheet for additional ordering information.

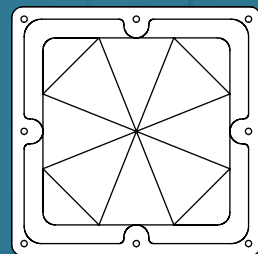


# OUC3

## LED Canopy

The OUC3 LED Canopy offers high performance in an economical and practical design. The OUC3 achieves even light distribution using a prismatic, frosted lens that is UV- and fire-resistant while its die-cast aluminum housing has convenient knockouts for easy J-Box, surface mount, or pendant installations. The OUC3 is an efficient under outdoor canopy lighting solution for exterior ceilings or for parking garages, car ports, covered walkways, or other commercial spaces, and is equipped with an integrated heat sink and a Type V distribution precision lens.

### Dimensions



45W 10 in  
(254mm)

80W 14 in  
(356mm)



45W 3.7 in  
(93mm)

80W 5 in  
(127mm)




## FEATURES



  
**CRI**  
80+

  
**Lumens**  
5523-9934

  
**Lifetime**  
>90000 hrs

  
**Beam Angle**  
109°

### Single CCT options

4K 5K

### Operating Temperature

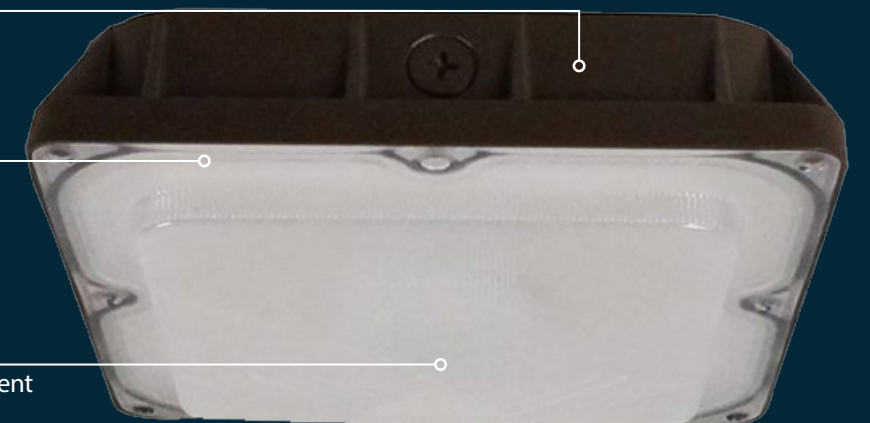
Rating of -4° to 104°F (-20°C to 40°C)

### Knockouts

Four 1/2" knockouts for conduit wiring or sensor additions

### Precision Optics

UV and fire resistant frosted lens ensures consistent and maximum illumination



### Ordering Information

Example: OUC3080MV40BZ

Series	Version	Wattage	Voltage	CCTs	Finish	Controls
OUC	3	045 (45W)	MV (120-277V)	40 (4000K) <sup>1</sup>	BZ (Bronze)	_ (None)
		080 (80W) <sup>1</sup>		50 (5000K)		P (Photocell)
						M (Motion Sensor)

See spec-sheet for additional ordering information.  
1) 80W model available in 4000K only

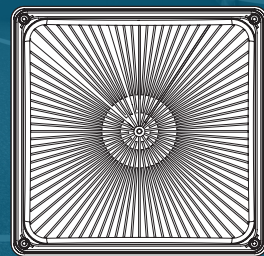


# OUC4

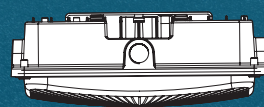
## LED Canopy

The OUC4 LED Canopy offers high performance in an economical and practical design. The OUC4 achieves even light distribution using a prismatic, frosted lens that is UV- and fire-resistant while its die-cast aluminum housing has convenient knockouts for easy J-Box, surface mount, or pendant installations. The OUC4 is an efficient outdoor canopy lighting solution for exterior ceilings or for parking garages, carports, covered walkways, or other commercial spaces, and is equipped with an integrated heat sink and a Type V distribution precision lens. The OUC4 offers two models with selectable wattages (75W/60W/45W), (120W/96W/72W) and selectable CCT (3000K/4000K/5000K). Includes factory mounted photocell standard.

### Dimensions



75W 9.6 in (243mm)  
120W 14 in (356mm)



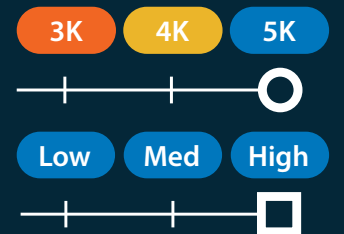
75W 3.5 in (87.9mm)  
120W 5 in (127mm)

## FEATURES



### Select the Perfect Light

The OUC4 LED Canopy features selectable wattage and color temperature options via an integrated switch.



**CRI**  
70+

**Lumens**  
5527-15547

**Lifetime**  
>54000 hrs

**Beam Angle**  
141°-145°

### High-Quality Housing

Die-cast aluminum housing with integrated heat sink

### Electrical

Integrated 0-10V dimming and 4KV surge protection standard

### Precision Optics

High-performance frosted prismatic lens for maximum distribution



### Ordering Information

Example: OUC4075SUNVSBZ

Series	Version	Wattage	Voltage	CCTs	Finish	Controls
OUC	4	075S (45W/60W/75W)	UNV (120-277V)	S (3K/4K/5K)	BZ (Bronze)	_Blank (Photocell)
		120S (72W/96W/120W)			WH (White)	S (12V 3.5mm Socket)

See spec-sheet for additional ordering information.

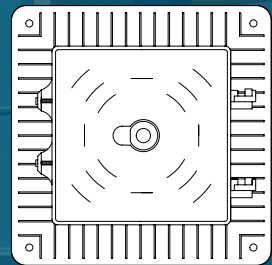


# OUS

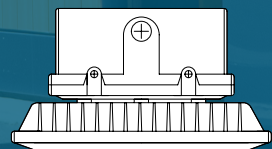
## LED Specification Canopy

Delivering maximum lumen output in an attractive and streamlined design, the OUS LED Specification Canopy utilizes advanced LED technology to provide enhanced, even illumination with less energy. The OUS is an effective under canopy lighting solution for exterior ceilings or for parking garages, car ports, covered walkways, or other commercial spaces. Its die-cast aluminum housing with hinged and removable back box and convenient knockouts allow for easy J-Box, surface mount, or pendant installations. The fixture is equipped with an integrated heat sink, a Type V distribution precision lens, and has an optional photocell.

### Dimensions



45W 9.1 in  
(231mm)  
80W 14.3 in  
(362mm)



45W 5 in  
(127mm)  
80W 5 in  
(127mm)

## FEATURES



### Knockouts

Four 1/2" knockouts for conduit wiring or sensor additions

### EVA Gasket

For water-resistant surface mounting

### Optical System

High light-transmittance polycarbonate frosted flat lens



**CRI**  
70+



**Lumens**  
5460-10456



**Lifetime**  
>60000 hrs



**Beam Angle**  
106°-108°

### Single CCT options

4K

5K

### Photocell Optional

Available in 45W and 80W options



### Ordering Information

Example: OUS1080MV50BZP

Series	Version	Wattage	Voltage	CCTs	Finish	Photocell
OUS	1	045 (45W)	MV (120-277V)	40 (4000K)	BZ (Bronze)	Blank (None)
		080 (80W)		50 (5000K)		P (Photocell)

See spec-sheet for additional ordering information.



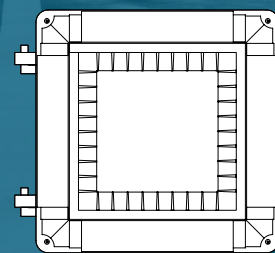


# OGS

## LED Garage Light

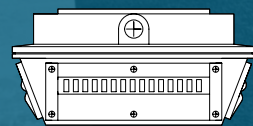
The OGS LED Garage Light incorporates the newest LED technology to provide optimal performance with even light distribution. Its die-cast aluminum housing with hinged and removable back box and convenient knockouts allow for easy J-Box, surface mount, or pendant installations. The OGS is ideal for use in parking garages or structures, car ports, covered walkways, stairwells, work bays, and other commercial spaces.

### Dimensions



45W 10 in  
(254mm)

85W 15 in  
(381mm)

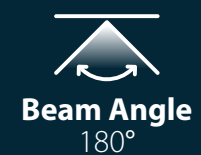


45W 4.8 in  
(122mm)

85W 4.8 in  
(122mm)



## FEATURES



### Single CCT options

3K 5K

### Hinged Back Box

Allows for installation mounting to J-boxes (standard)

### Optical System

Four polycarbonate lenses angled to produce an even light distribution

### High-Quality Housing

Die-cast aluminum housing with integrated heat sink



### Ordering Information

Example: OGS1085MV50BZ

Series	Version	Wattage	Voltage	CCTs	Finish	Sensors
OGS	1	045 (45W)	MV (120-277V)	30 (3000K)	BZ (Bronze)	Blank (None)
		085 (85W)		50 (5000K)		P (Photocell)
						M (Motion Sensor)
						D (PC & MS)

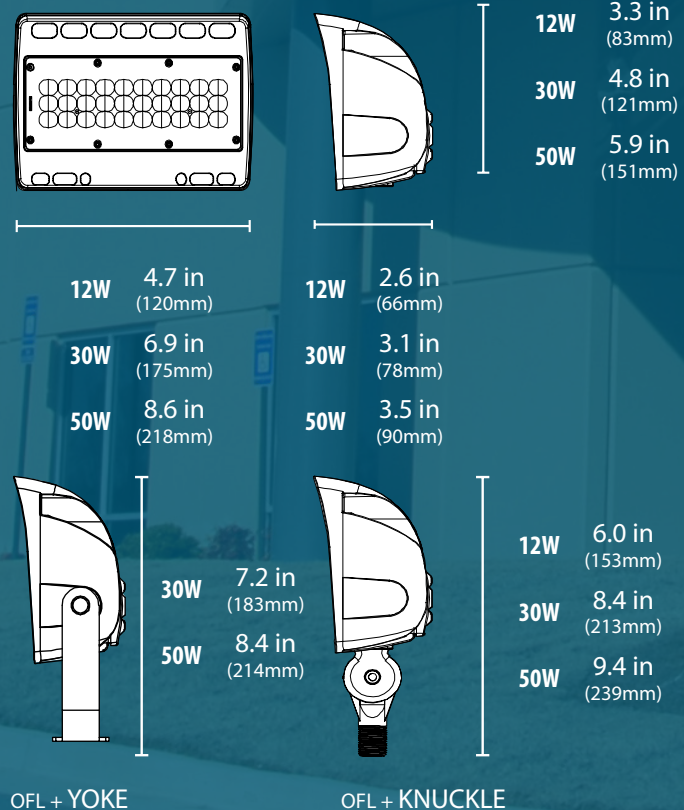
See spec-sheet for additional ordering information.

# OFL2

## LED Flood Light

The OFL2 LED Flood Light offers high performance and clean, uniform light distribution in a compact design. The OFL2 is available in three wattages and features a long-lasting driver with a highly efficient LED engine for precise optical control. The included knuckle mount has a range of 0 to 90-degrees, making it easy to enhance the aesthetics of any exterior environment, including landscapes, display signage, building facades, common areas, pathways, and other open spaces where illumination or accent lighting are required.

### Dimensions



## FEATURES



### Die-Cast Aluminum Housing

Routes heat away from electrical components

### Optical System

NEMA 7H x 7V Distribution for maximum area coverage

### Knuckle Mounting

Adjustment range of 0° to ±90°

- CRI** 80+
- Lumens** 1238-5639
- Lifetime** >50000 hrs
- Beam Angle** 7H x 7V

### Single CCT options

3K 5K

### Yoke Mounting

Adjustment range of 0° to ±90°

*\*Not available on 12W fixture*



### Ordering Information

Example: OFL2030MV50BZK

Series	Version	Wattage	Voltage	CCTs	Finish	Mounting
OFL	2	012 (12W)	MV (120-277V)	30 (3000K)	BZ (Bronze)	K (Knuckle)
		030 (30W)		50 (5000K)		Y (Yoke)
		050 (50W)				

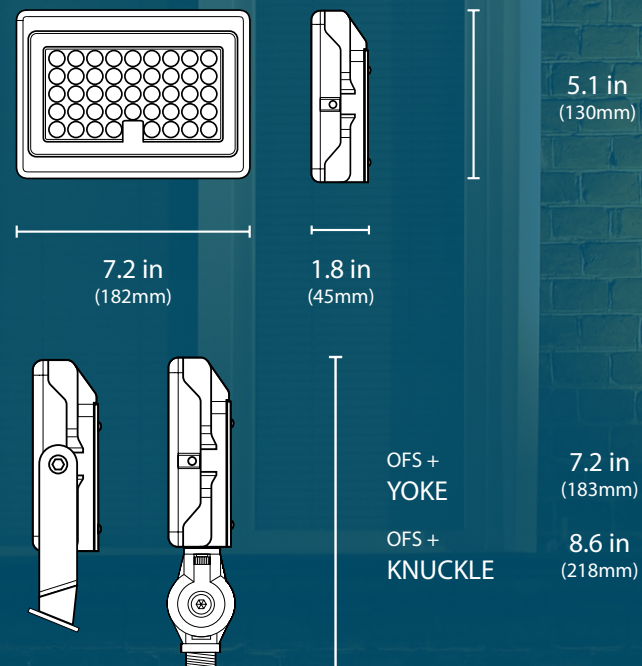
See spec-sheet for additional ordering information.

# OFS

## LED Flood Light

The OFS Selectable LED Flood Light is a high-performance lighting solution in a sleek and compact form. It offers high efficiency with improved aesthetic design features using the latest in LED technology. The OFS offers Selectable wattage and color temperature options via an integrated switch located on the backside. The OFS features a die-cast aluminum housing with a UV-stabilized powder-coat finish for protection against the elements, ensuring long-lasting durability. The impact-resistant polycarbonate lens provides further protection while maintaining uniform light dispersion, enhanced by the 7H7V beam distribution pattern and a high CRI value for vivid clarity. The OFS includes both a knuckle mount (pre-installed) and a yoke mount to suit your installation preference, for added versatility. Effortlessly improve landscapes, signage, facades, pathways, and open spaces with the OFS, where superior lighting and style converge.

### Dimensions



## FEATURES



### Built for the Outdoors

Die-cast aluminum housing with powder coat finish for added protection from the elements

### Polycarbonate Lens

Impact-resistant lens protects the LEDs while ensuring even light dispersion

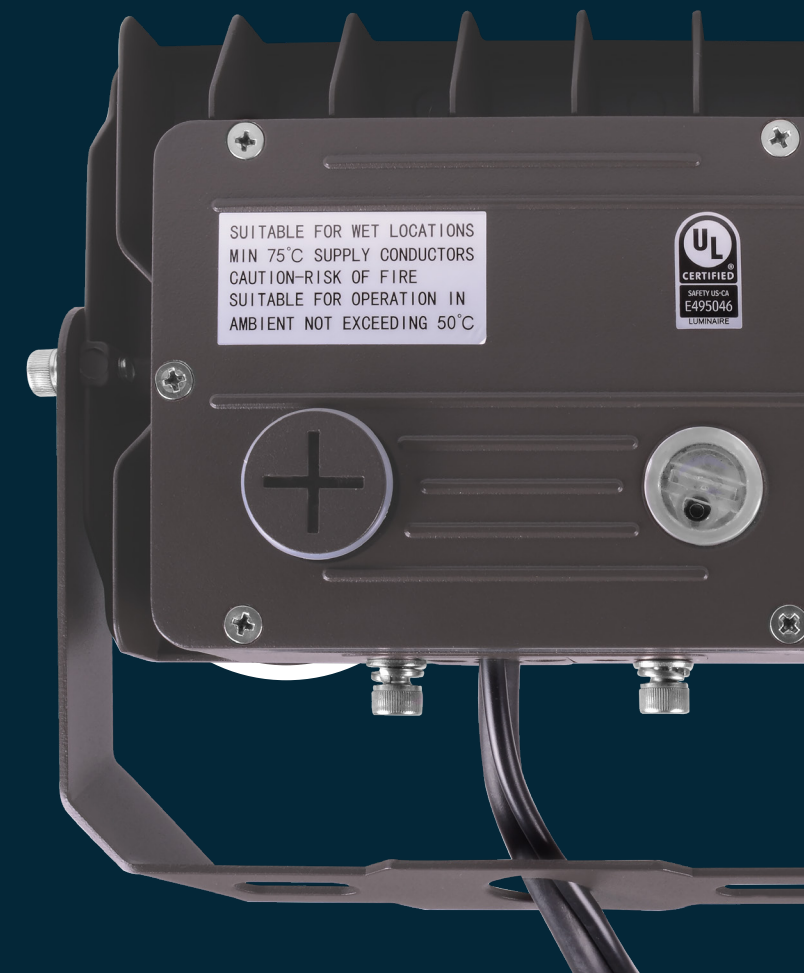
### Installation Versatility

Includes both Knuckle and Yoke mount options for installation

- CRI** 80+
- Lumens** 4445-7150
- Lifetime** >46000 hrs
- Beam Angle** 113°

### Select the Perfect Light

The OFS LED Floodlight features selectable wattage and color temperature options via an integrated switch located on the backside.



### Ordering Information

Example: OFS10S0SUS8PBZ

Series	Version	Wattage	Voltage	CCTs	CRI	Control	Finish
OFS	1	050S (35W/50W)	U (120-277V)	S (3K/4K/5K)	8 (80 CRI)	P (Photocell)	BZ (Bronze)

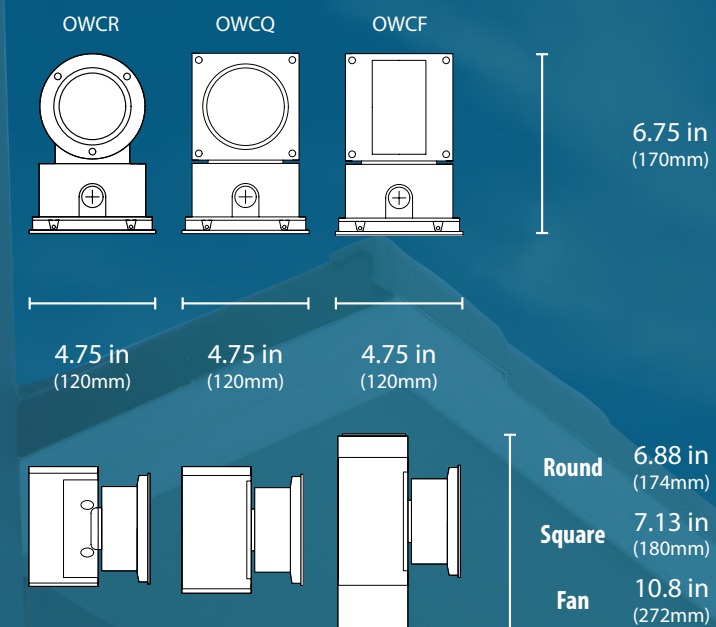
See spec-sheet for additional ordering information.

# OWC

## LED Wall Mount Cylinder

The 4" LED Wall Mount Cylinder features an attractive, contemporary design. Ideal for porches, walls, columns, office spaces, restaurants, clubs, walkways and other residential or commercial applications where ambient illumination is desired, the OWC uses tempered, clear prismatic glass to create uniform down or up/down light distribution free of hot spots or glare. The fixture features a detachable mounting plate for easy mounting to J-Boxes and has a knockout for through-wiring.

### Dimensions

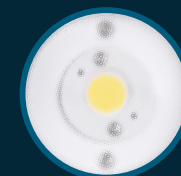


\*Only available on HZVD & OWCQ4D

## FEATURES



### Single CCT options



### Tempered Glass

Clear prismatic glass creates uniform distribution while maximizing lumen output



### 1/2" Knockouts

For conduit wiring

### Ordering Information Example: OWCR4D1022MV50BZ

Series	Distribution	Version	Wattage	Voltage	CCTs	Finish
OWCR4	D (Down)	10 (Version 1)	22 (22W)	MV (120-277V)	30 (3000K)	BZ (Bronze)
	U (Up/Down)		35 (35W)		40 (4000K)	WH (White)
						50 (5000K)

### Ordering Information Example: OWCQ4D1022MV50BZ

Series	Distribution	Version	Wattage	Voltage	CCTs	Finish
OWCQ4	D (Down)	10 (Version 1)	22 (22W)	MV (120-277V)	30 (3000K)	BZ (Bronze)
	U (Up/Down)		35 (35W)		40 (4000K)	WH (White)
						50 (5000K)

### Ordering Information Example: OWCF4N1036MV50BZ

Series	Distribution	Version	Wattage	Voltage	CCTs	Finish
OWCF4	N (Narrow)	10 (Version 1)	36 (36W)	MV (120-277V)	30 (3000K)	BZ (Bronze)
					40 (4000K)	WH (White)
					50 (5000K)	

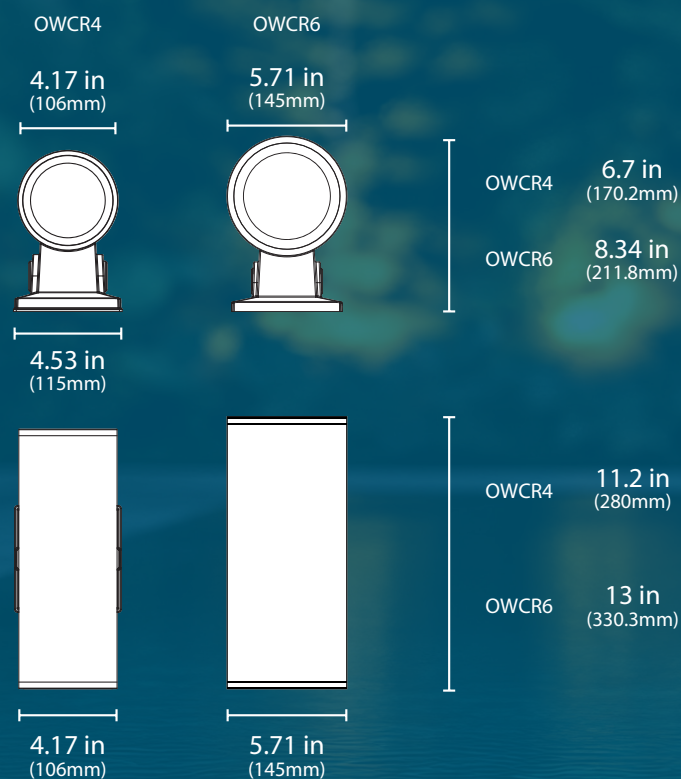
See spec-sheet for additional ordering information.

# OWCR

## Round LED Wall Mount Cylinder

The new OWCR LED Wall Mount Cylinder delivers optimal performance over 95 lumens per watt in an attractive, contemporary design. Ideal for porches, walls, columns, office spaces, restaurants, clubs, walkways and other residential or commercial applications where ambient illumination is desired, the OWCR uses tempered glass to create uniform up, down, or full light distribution free of hot spots or glare. The fixture features a detachable mounting plate for easy mounting to J-Boxes and surface mounting.

### Dimensions



## FEATURES



### Field Swappable Reflectors

40° optics included. Interchangeable 25° and 60° optics available.

### Photocell Control

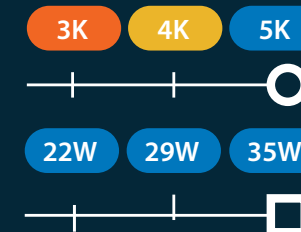
Integrated photocell with easy on/off switch for adaptable lighting control

### Selectable Lighting Direction

Choose up, down or up/down with the flick of a switch

### Select the Perfect Light

The OWCR Round LED Wall-Mount Cylinder features selectable wattage and color temperature options via an integrated switch located on the backside.



**CRI**  
90

**Lumens**  
1800-2975

**Lifetime**  
>60,000 hrs

**Beam Angle**  
40°



Ordering Information								Example: OWCR6235SUS940BZ
Series	Distribution	Version	Wattage	Voltage	CCTs	CR	Optic	Finish
OWCR	4 (4 inch)	2 (Version 2)	20S (12/16/20W)*	U (120-277)	S (30/40/50K)	90 (90 CRI)	40 (40 degree)	BZ (Bronze)
	6 (6 inch)		35S (22/29/35W)**				25 (25 degree)***	
							60 (60 degree)***	

See spec-sheet for additional ordering information. \*Only available in 4" fixture \*\*Only available in 6" fixture \*\*\*Contact NICOR for leadtime

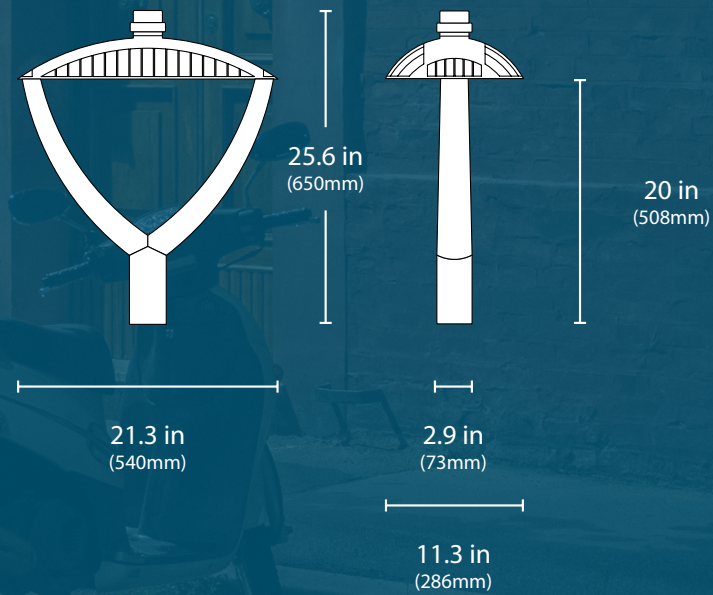


# OTL

## LED Pole Top

The OTL provides even illumination with advanced LED technology, making it the ideal pole top lighting solution for exterior pathways, courtyards, and parking lots. OTL features a polycarbonate precision lens in a Type V "very short" distribution and is easily mounted to a 3" diameter pole using a 2 3/8" tenon adapter. The bronze LED pole top is available in 40W and 80W with a 5000K color temperature and has photocell and motion sensor options to suit your environment. The fixture is also dimmable from 0-10VDC and includes 10kA surge protection.

### Dimensions



## FEATURES



### Sensor Options

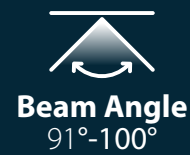
Photocell and/or Motion Sensor options available

### Polycarbonate Lens

High-impact precision lenses with six different distribution type options

### Mounting and Installation

Pole Mounted - 2 3/8" tennon, receptacle with shunt standard



**5K Single CCT**

Accessories	
Pole Top Lens Type V Short	OTL-1-LENS-T5S
Pole Top Lens Type IV Very Short	OTL-1-LENS-T4V
Pole Top Lens Type IV Medium	OTL-1-LENS-T4M
Pole Top Lens Type III Medium	OTL-1-LENS-T3M
Pole Top Lens Type II Medium	OTL-1-LENS-T2M

**NICOR offers a wide variety of compatible poles for the OTL.**

Contact NICOR today to find out more.

Ordering Information							Example: OTL1085MV50BZVVSP
Series	Version	Wattage	Voltage	CCTs	Finish	Optic	Sensors
OTL	1 (Version 1)	040 (40W)	MV (120-277V)	50 (5000K)	BZ (Bronze)	VVS (Type V - Very Short)	_ (Receptacle & Shunt standard)
						T5S (Type V - Short)	P (Receptacle & Photocell)
		085 (85W)				T4V (Type IV - Very Short)	M (Motion Sensor, R & S)
						T4M (Type IV - Medium)	D (Receptacle & PC, & MS)
		T3M (Type III - Medium)					
		T2M (Type II - Medium)					

See spec-sheet for additional ordering information.

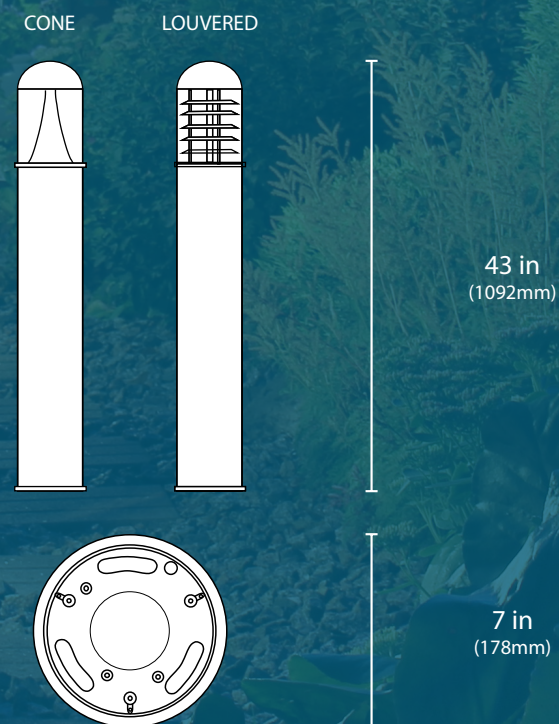


# OBL

## LED Bollard

The OBL LED bollards feature unique and attractive parabolic cone and louvered designs with back-light directional shields. Both options are wrapped with a fine-textured, UV-stabilized powder coat bronze finish and produce a bright white, 5000K color temperature that provides 360 coverage for optimal area lighting. Each delivers maximum lumen output to create the perfect lighting ambiance for courtyards, driveways, and walkways for added safety. The OBL bollards measure 7" in diameter and 43" in height and include a thermally-protected, high-efficiency driver with standard 10kA surge protection and 0-10VDC dimming. Includes anchor bolts with template for installation.

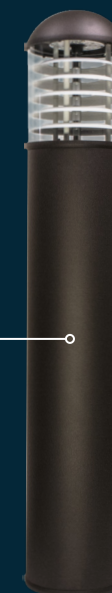
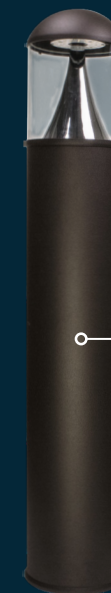
### Dimensions



\*Louver

\*\*Cone

## FEATURES



### Outdoor Protection

Fine-textured, UV-stabilized powder coat bronze finish for protection from the elements

5K Single CCT



### Cone

Perfect choice to maximize lighting for your walkway



CRI  
70



Lumens  
2803



Beam Angle  
46.7°



### Louvered

Provides reduced glare for a softer lighting environment



CRI  
70



Lumens  
1726



Beam Angle  
139°

### Ordering Information

Example: OBLR71028MV50BZ51C

Series	Shape	Size	Version	Wattage	Voltage	CCT	Finish	Style
OBL	R (Round)	7 (Inches)	10	28 (28W)	MV (120-277V)	50 (5000K)	BZ (Bronze)	51 C (Cone) 51 L (Louver)

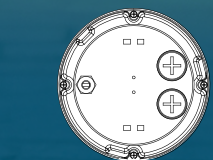
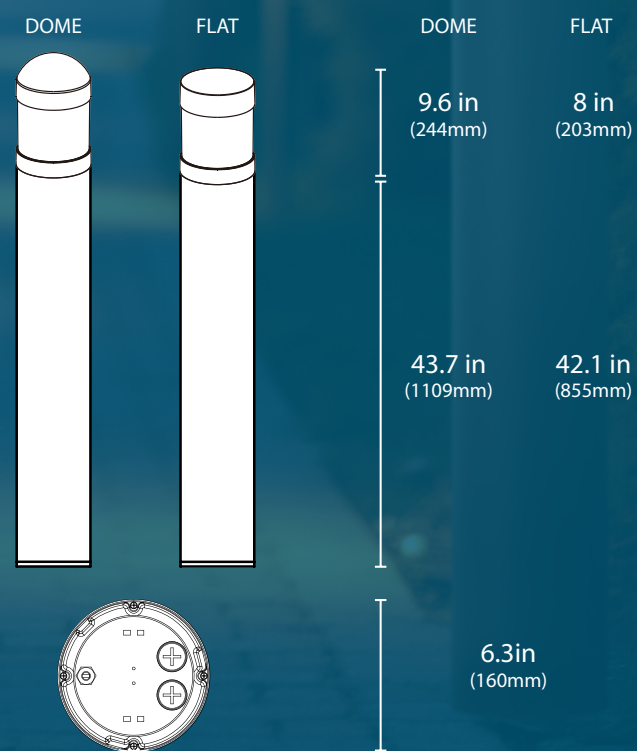
See spec-sheet for additional ordering information.

# OBL2

## LED Bollard

The next generation of NICOR LED Bollards offers versatile and energy-efficient outdoor lighting. Featuring selectable lumen output and wattage settings and four different head styles, it combines durability and contemporary design, providing long-lasting performance and high-quality light. Constructed from robust materials and designed to withstand harsh weather conditions, this bollard light ensures reliable operation and minimal maintenance. Enhance the safety and aesthetics of your outdoor spaces with the adaptable and efficient NICOR OBL LED Bollard.

### Dimensions



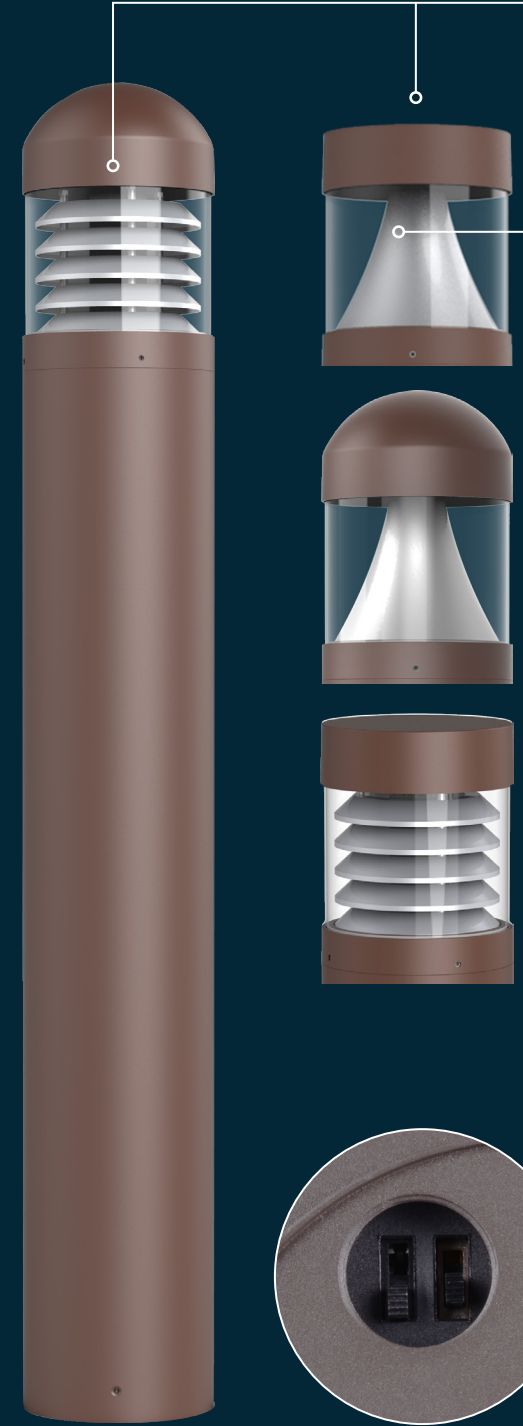
## FEATURES

### Versatile Head Options

Choose between a sleek flat-top style for a modern aesthetic or the classic dome design for a timeless appeal.

### Customized Light Distribution

Select the cone for a more focused lighting distribution or the louvered style for a soft, glare-free glow.



### Cone

- Wattage** 14/19/24
- CRI** >70
- Lumens** 2041-3586
- Beam Angle** H: 133.9°, V: 143.9°

### Louvered

- Wattage** 14/19/24
- CRI** >70
- Lumens** 962-1725
- Beam Angle** H: 180°, V: 180°

### Select the Perfect Light

The OBL2 Bollard features selectable wattage and color temperature options via an integrated switch.

Ordering Information										Example: OBL2CFRD24SUS7BZB	
Series	Version	Distribution	Top Style	Body Style	Wattage	Input Voltage	CCT	CRI	Finish Color	Body	
OBL	2	C (Cone)	F (Flat)	RD (Round)	24S (14/19/24W)	U (120-277)	S (30/40/50K)	7 (70+)	BZ (Bronze)	B	
		L (Louver)	R (Round)								

See spec-sheet for additional ordering information.

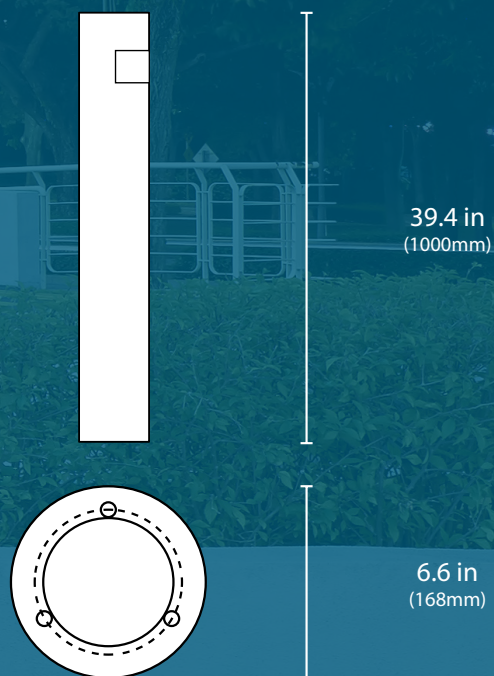


# OBH

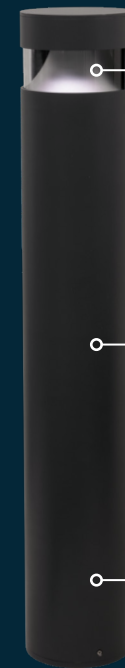
## LED Bollard

The OBH LED bollard features a unique flat top design available in both 180° or 360° coverage options. It's wrapped in a fine-textured, UV-stabilized powder coat finish and is available in both 3000K and 4000K color temperatures for warm or cool lighting. Create the perfect lighting ambiance for courtyards, driveways, and walkways for added safety. The OBH bollard measures 6.6" in diameter and 39.4" in height and includes a thermally-protected, high-efficiency driver with standard 0-10VDC dimming, and requires less than 10-Watts to operate. Includes anchor bolts with template for installation.

### Dimensions



# FEATURES



### Advanced LED Technology

Indirect optics deliver 430 lumens with reduced glare

### High-Quality Housing

Die-cast aluminum with integrated heat sink

### Mounting and Installation

Anchor bolts and anchor bolt template included



CRI  
80+



Lumens  
430



Beam Angle  
30°

### Single CCT options

3K 4K

Ordering Information									Example: OBHR7107U30BZ39H
Series	Shape	Diameter	Wattage	Version	Voltage	CCT	Finish	Height	Style
OBH	R (Round)	7 (Inches)	10 (10W)	7	U (120-277V)	30 (3000K)	BZ (Bronze)	39 (Inches)	F (Full)
						40 (4000K)	BK (Black)		H (Half)
							DG (Dusty Gray)		
							SG (Stone Gray)		
							GA (Gray Aluminum)		

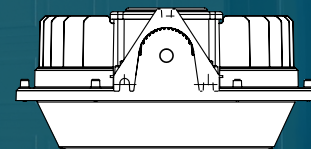
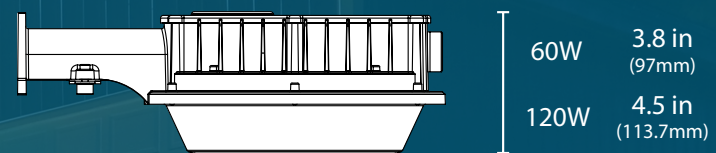
See spec-sheet for additional ordering information.

# ODL4

## LED Dusk to Dawn

The ODL4 LED Dusk to Dawn utilizes next-generation design in a selectable wattage and CCT model. The ODL provides a light output suitable for general purpose security and area lighting. The ODL4 offers two models with selectable wattages (120W/96W/72W), (60W/48W/36W) and selectable CCT (3000K/4000K/5000K). The ODL is an economical and efficient lighting solution that includes a photocell and easily installs directly to a wall or on a pole.

### Dimensions



# FEATURES

## Mounting and Installation

Easy installation on wall or pole

## Control Options

Integrated photocell and CCT Selectable switch

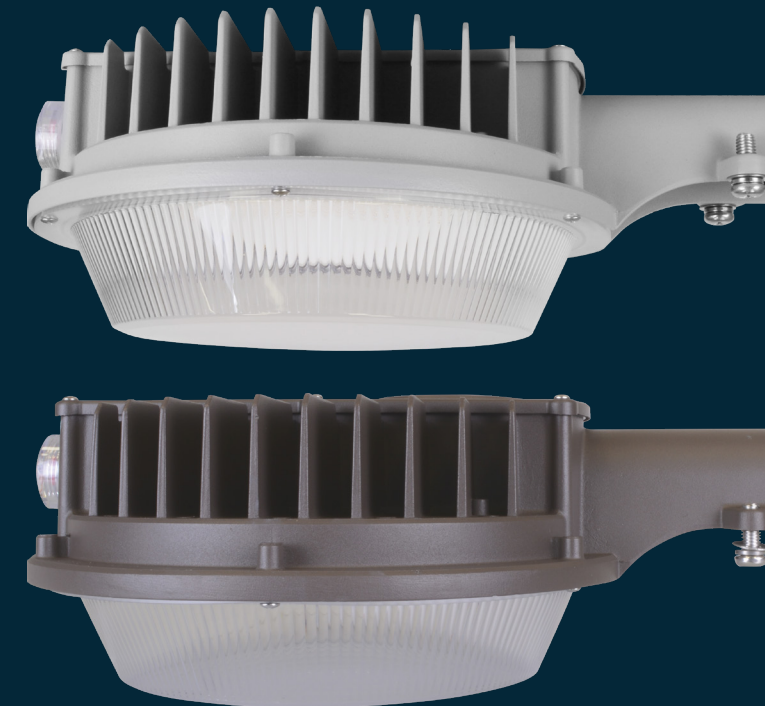
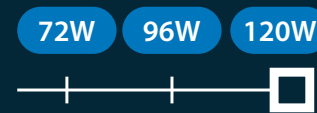
## Optical System

Enclosed polycarbonate prismatic diffuser



## Select the Perfect Light

The ODL4 LED features selectable wattage and color temperature options via an integrated switch.



Ordering Information					Example: ODL4120SUNVSGR
Series	Version	Wattage	Voltage	CCTs	Finish
ODL	4	060S (36/48/60W)	UNV (120-277V)	S (3K/4K/5K)	GR (Gray)
		120S (72/96/120W)			BZ (Bronze)

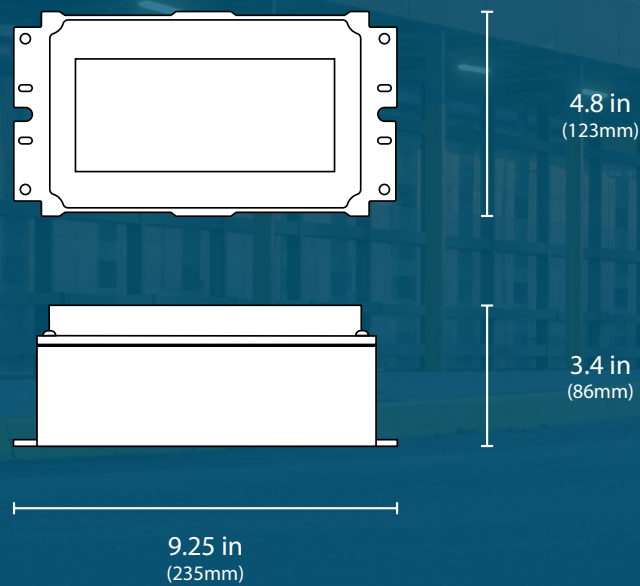
See spec-sheet for additional ordering information.

# EMO

## Self-Diagnostic Outdoor Emergency Kit

The EMO is an external LED emergency driver and battery for field installation that enables normal and emergency operation of an LED fixture. Built to withstand various environmental conditions, the EMO is enclosed in a durable weather-proof casing, making it ideal for outdoor use. During a power failure, the EMO activates emergency mode to deliver consistent output power to the fixture for a minimum of 90 minutes. For added convenience, the kit features a lighted test button with status indicator allowing for easy functionality checks. The EMO allows you to add emergency battery backup to most outdoor LED fixtures.

### Dimensions



## FEATURES



### Power when it's Needed

Constant power designed to provide consistent lumen output for 90 minutes

### Built for the Outdoors

Die-cast aluminum, steel case housing with sealed enclosure

### Li-Ion Battery

Long life high temperature battery with 24 hour recharge time



### COMPATIBLE NICOR SERIES\*



\*Not a complete list. Check compatibility before installation.

Ordering Information				Example: EMO1080WRVBZ
Series	Version	Output Power	Voltage Input	Finish
EMO	1 (Version 1)	080 (8W)	WRV (120-347V)	BZ (Bronze)
		180 (18W)		WH (White)

See spec-sheet for additional ordering information.

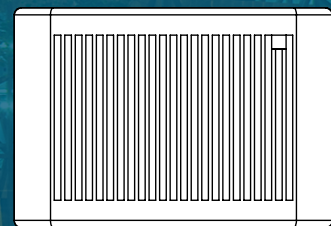


# EOF

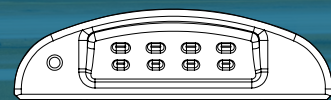
## LED Emergency Outdoor Full Cutoff

The LED Emergency Outdoor Full Cutoff combines 90-minute emergency lighting with a low-profile, architectural design. The EOF is designed for outdoor use, with an optional cold-weather kit for added reliability in northern climates. The EOF comes standard with a photocell, with an optional motion sensor adding even more energy efficiency. An internal selector switch allows bypassing the photocell to control the unit from a wall switch. A non-emergency unit is available for locations not requiring battery-backup, providing a uniform for all fixtures.

### Dimensions



6.25 in  
(159mm)



2.6 in  
(66mm)

9 in  
(228mm)



## FEATURES



### Photocell

Standard photocell with selectable wall switch control

### Construction

Durable die-cast aluminum body with separable backplate for easy installation and maintenance

### PIR Sensor

Optional PIR sensor detects motion for energy-efficient lighting



**CRI**  
70+



**Lumens**  
1554-1635



**Lifetime**  
>72000 hrs

### Single CCT options

3K

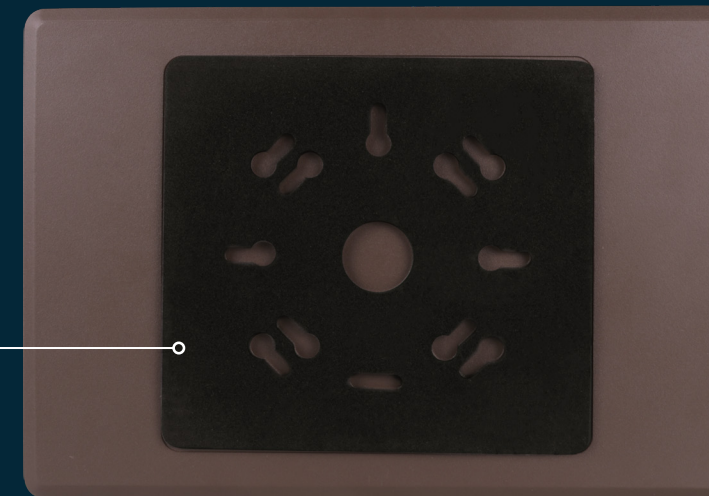
5K

### Available Options

- Cold-Weather Kit
- Non-Emergency (AC)
- Self-Diagnostic (SD)

### Mounting and Installation

Fixture mounts directly to wall or J-boxes. The backplate makes wiring possible with conduit and wiring knockouts.



### Ordering Information

Example: EOF1MV3KBZPMS

Series	Version	Voltage	CCT	Housing Color	Photocell	Motion Sensor	Testing	Cold Weather	Emergency	
EOF	1	MV (120-277V)	3K (3000K)	BZ (Bronze)	P (Photocell)	_ (Blank)	_ (Manual)	_ (Standard)	_ (Emergency)	
			5K (5000K)	WH (White)		M (Motion Sensor)	S (Self-Diagnostic, EM only)	C (Cold Weather)	AC (Non-EM)	
				BK (Black)*						
				SV (Silver)*						

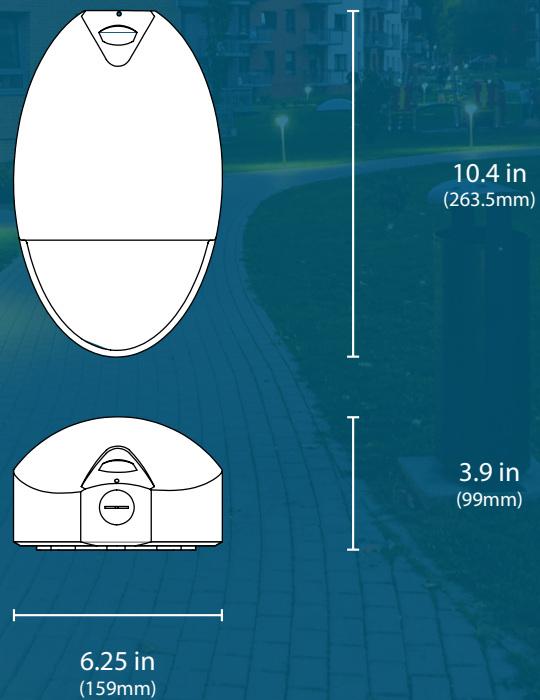
\*This configuration are subject to MOQ (minimum order quantity) and please check factory for lead time. See spec-sheet for additional ordering information.

# EOT

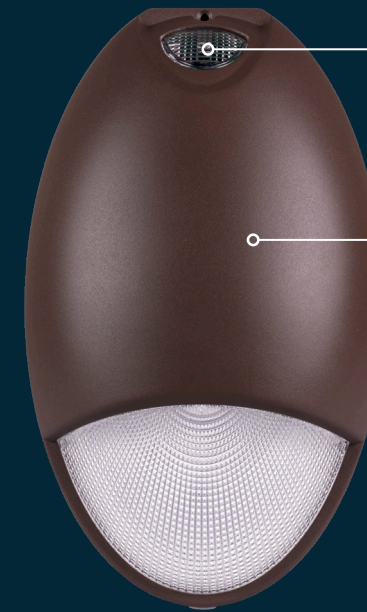
## LED Emergency Outdoor Tear Drop

The LED Emergency Outdoor Tear Drop combines 90-minute emergency lighting with a low-profile, architectural design. The EOT is designed for outdoor use, with an optional cold-weather kit for added reliability in northern climates. The EOT comes standard with a photocell providing users added energy efficiency. An internal selector switch allows bypassing the photocell to control the unit from a wall switch. A non-emergency unit is available for locations not requiring battery-backup, providing a uniform look for all fixtures.

### Dimensions



# FEATURES



### Sensor

Standard photocell with optional wall switch control

### Construction

Durable die-cast aluminum body with separable backplate for easy installation and maintenance

### Available Options

- Cold-Weather Kit
- Non-Emergency (AC)
- Self-Diagnostic (SD)



### Single CCT options

- 2.7K
- 5K

### Mounting and Installation

Fixture mounts directly to wall or J-boxes. The backplate makes wiring possible with conduit and wiring knockouts.



### Ordering Information

Example: EOT1MV2KBZPS

Series	Version	Voltage	CCT	Housing Color	Photocell	Testing	Cold Weather	Emergency
EOT	1	MV (120-277V)	2K (2700K)	BZ (Bronze)	P (Photocell)	S (Self-Diagnostic)	_ (Standard)	_ (Emergency)
			5K (5000K)	SV (Silver)		C (Cold Weather)	AC (Non-EM)	

See spec-sheet for additional ordering information.

# OUTDOOR EMERGENCY & EXIT SIGNS

## EXL5

- » Operating temperature rating of 5°F to 104°F (-15°C to 40°C)
- » 90-minute emergency operation, recharges in 24 hours
- » Fully illuminated 6" letter height with 3/4" stroke
- » Available in Red or Green lettering with removable chevron indicators
- » Includes two faces for one-way or two-way signage



Ordering Information						Example: EXL51UNVWHR2
Series	Version	Voltage	Housing Color	Letter Color	Number of Faces	
EXL5	1 (Version 1)	UNV (120-277V)	WH (White)	G (Green)	2 (Single & Double)	
				R (Red)		

See spec-sheet for additional ordering information.



## ECL5

- » Vertical head tilt: 120°, Horizontal head rotation: 360°
- » 90-minute emergency operation, recharges in 24 hours
- » Fully illuminated 6" letter height with 3/4" stroke
- » Available in Red or Green lettering with removable chevron indicators
- » Includes two faces for one-way or two-way signage



Ordering Information						Example: ECL51UNVWHR2
Series	Version	Voltage	Housing Color	Letter Color	Number of Faces	
ECL5	1 (Version 1)	UNV (120-277V)	WH (White)	G (Green)	2 (Single & Double)	
				R (Red)		

See spec-sheet for additional ordering information.



## EML6

- » Operating temperature rating of 5°F to 104°F (-15°C to 40°C)
- » Vertical head tilt: 100°, Horizontal head rotation: 100°
- » 90-minute emergency operation, recharges in 24 hours
- » Dual-voltage (120-277) operation at only 24W
- » Includes test switch with power indicator light



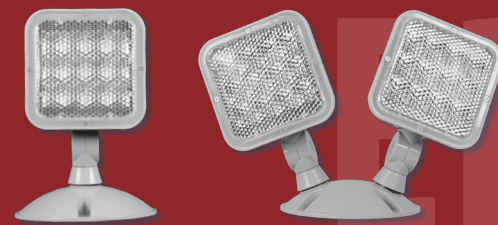
Ordering Information				Example: EML61UNVWH
Series	Version	Voltage	Housing Color	
EML6	1 (Version 1)	UNV (120-277V)	WH (White)	

See spec-sheet for additional ordering information.



## ERL 3|4

- » 9.6V input voltage
- » Remote Capable
- » Power Draw (W): ERL3 1.2W, ERL4 2.4W
- » Wet-location rated remote heads
- » Injection-molded, flame-retardant housing



Ordering Information			Example: ERL4-10-WH
Series	Version	Housing Color	
ERL3 (Single Head)	10 (Version 1.0)	_ (Standard Gray)	
ERL4 (Dual Head)		WH (White)	

Compatible with: ECL1 (with remote option)

See spec-sheet for additional ordering information.



## ERHWP 1|2

- » 3.6V input voltage
- » Remote Capable
- » Vertical head tilt: ±70°, Horizontal head rotation: 360°
- » Power Draw (W): ERHWP1 1.3W, ERHWP2 2.6W
- » Wet-location rated remote heads
- » Injection-molded, flame-retardant housing



Ordering Information		Example: ERHWP1GR
Series	Color	
ERHWP1 (Single Head)	GR (Gray)	
WRHWP2 (Dual Head)		

Compatible with: EML1, EML3, and EML5 (with remote option)

See spec-sheet for additional ordering information.



Explore a wide range of products with NICOR brochures and catalogs to uncover additional lighting solutions.



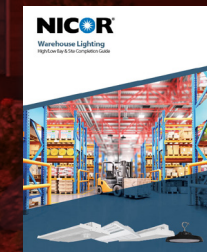
Quick Reference Guide



Downlights Brochure



Emergency Brochure



Warehouse Brochure



HazLoc Brochure



# NICOR<sup>®</sup> OUTDOOR

**Warehouse Locations:**

Albuquerque, NM

Buford, GA

Detroit, MI

Roseville, CA

**T 800.821.6283**

F 800.892.8393

[www.nicorlighting.com](http://www.nicorlighting.com)

NICOR Lighting

2200 Midtown Pl. NE

Albuquerque, NM 87107 USA



Scan QR for the latest  
Outdoor brochure



LIT-OUTDOOR-10PK  
20250127

© 2025 NICOR® • ALL RIGHTS RESERVED