

MWOS360R

Remote Controllable Microwave Occupancy Sensor

Product Description

The MWOS series Microwave Occupancy Sensor provides highly configurable, IP65 rated motion detection with an integrated daylight sensor for mounting applications up to 50ft. The MWOS360R installs into a standard 1/2" KO and can control any 0-10V dimmable fixture. This sensor is ideal for manufacturing, warehouse, storage and other large installation spaces. Addition of the remote control (*sold separately*) allows for easier setting changes without having to access the sensor DIP switches.

Construction

- All polymer, fully sealed body
- Integral 5.5' cable length
- IP65 rated
- Microwave motion detection with built in daylight sensor

Electrical

- Self contained relay, no power pack required
- Compatible with Electronic & Magnetic Ballasts, CFL, LED and Incandescent loads
- No minimum load requirement
- Remote and DIP switch programmable, additional setting options with remote handheld to adapt different installation environment and applications
- Highly configurable: Detection Area, Time Delay, Daylight Threshold, Dimming Level, Stand-by Period

Installation

- Mounts to 1/2" knockout. Locking nut and gasket provided
- 5 wire connection : 3 load, 2 dimming (0-10V)
- Max mounting height : 50ft (15m)
- Operating temperature range : -30°F - 155°F (-35°C - 70°C)
- No field calibration required

Warranty

- 5-year limited system warranty standard
- Note: Performance is of a representative fixture. Results may vary in the field as a result of installation environment and application.

PRODUCT INFORMATION

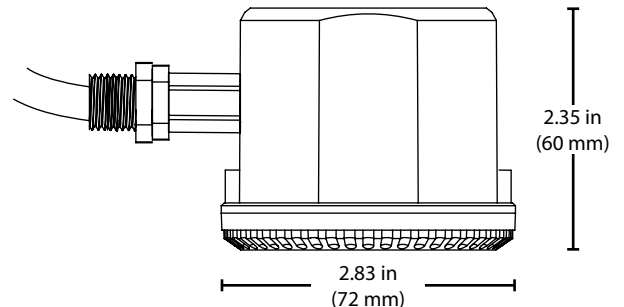
Detection System:	5.8GHz±75MHz, ISM Band
Operating Voltage:	120-277VAC
Maximum Rated Load:	120V, 50/60Hz, 4A 277V, 50/60Hz, 3A
Dimming:	0-10V
Weight:	0.45 lbs
IP Rating	IP65
Power Draw:	< 0.5W standby, <1W operation
Motion Detection:	52.4 ft x 49.2 ft (16m x 15m)

Project

Catalog

Type

Date



Ordering Information

Series

MWOS360R

Example: MWOS360R







Specifications and dimensions subject to change without notice

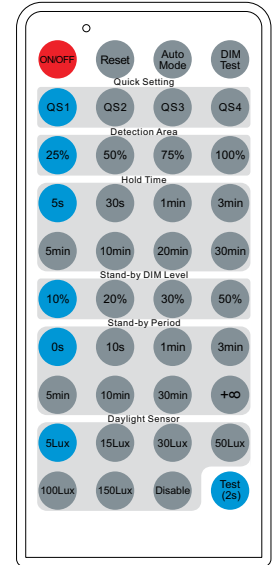
Accessories:

MWOS-REMOTE

Remote Control for MWOS360R and HBC-MWOSR

Handheld Remote Control Settings *(sold separately)*

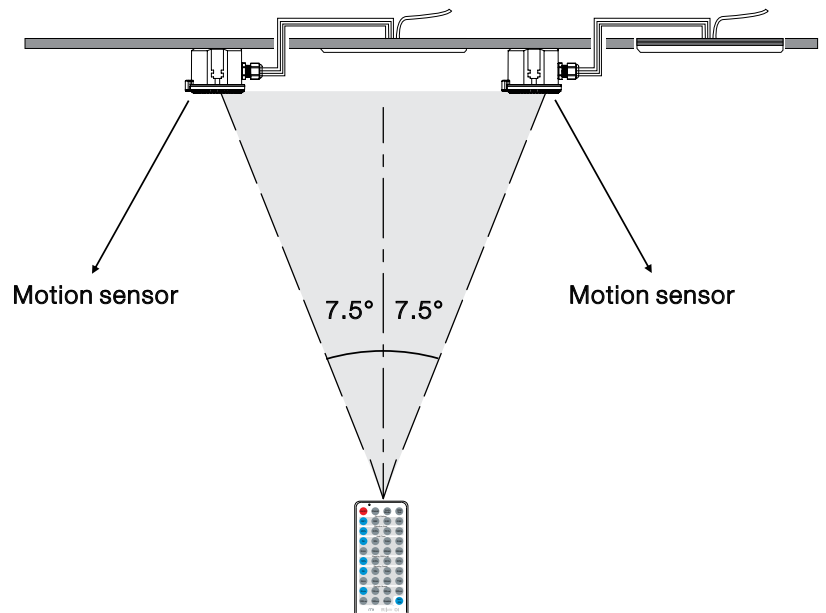
BUTTON	DESCRIPTION																														
	Press the "ON/OFF" button to disable sensor and power on/off fixture. Press "Reset" or "Auto Mode" button to reenable sensor settings.																														
	Press "Reset" button to default back to DIP switch settings.																														
	Press "Auto Mode" button to return to re-enable sensor settings.																														
	Press "DIM Test" button to test the dimming function. The sensor will dim the fixture to the set dim level, then returns to normal level.																														
	The button "Test (2s)" is for factory testing purpose only. Exit test mode by pressing any button. Detection sensitivity: 100% Hold Time: 2sec Stand-by dim Level: 10% Stand-by Period: 0s Daylight Sensor: Disable																														
	<table border="1"> <thead> <tr> <th>Scene Options</th> <th>Detection Area</th> <th>Hold Time</th> <th>Stand-by Period</th> <th>Stand-by dim Level</th> <th>Daylight Sensor</th> </tr> </thead> <tbody> <tr> <td>QS1</td> <td>100%</td> <td>30 s</td> <td>1 min</td> <td>10%</td> <td>5 Lux</td> </tr> <tr> <td>QS2</td> <td>100%</td> <td>1 min</td> <td>3 min</td> <td>10%</td> <td>10 Lux</td> </tr> <tr> <td>QS3</td> <td>100%</td> <td>5 min</td> <td>10 min</td> <td>10%</td> <td>30 Lux</td> </tr> <tr> <td>QS4</td> <td>100%</td> <td>30 min</td> <td>30 min</td> <td>10%</td> <td>Disable</td> </tr> </tbody> </table> <p>Note: Detection area/ Hold time/ Stand-by period/ stand-by dim level/ daylight sensor can be adjusted by pressing the corresponding button. The last setting stays active</p>	Scene Options	Detection Area	Hold Time	Stand-by Period	Stand-by dim Level	Daylight Sensor	QS1	100%	30 s	1 min	10%	5 Lux	QS2	100%	1 min	3 min	10%	10 Lux	QS3	100%	5 min	10 min	10%	30 Lux	QS4	100%	30 min	30 min	10%	Disable
Scene Options	Detection Area	Hold Time	Stand-by Period	Stand-by dim Level	Daylight Sensor																										
QS1	100%	30 s	1 min	10%	5 Lux																										
QS2	100%	1 min	3 min	10%	10 Lux																										
QS3	100%	5 min	10 min	10%	30 Lux																										
QS4	100%	30 min	30 min	10%	Disable																										



The Infrared Remote Control has an angle of 15°, if the sensors are installed too close to each other the remote might configure both sensors. See spacing table for minimum spacing for individual sensor command.

Spacing Table

MOUNTING HEIGHT	DISTANCE BETWEEN SENSORS
49.2ft (15m)	13.1ft (4m)
39.4ft (12m)	11.2ft (3.4m)
29.5ft (9m)	7.9ft (2.4m)
19.7ft (6m)	5.2ft (1.6m)
9.8ft (3m)	2.6ft (0.8m)



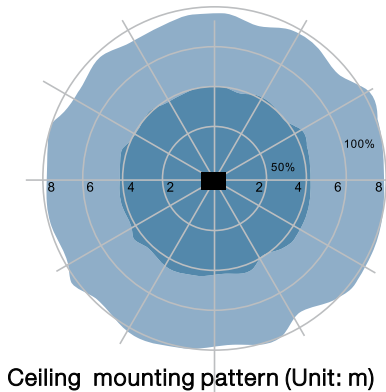
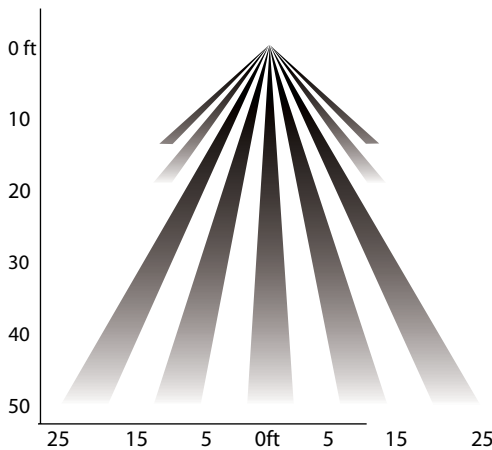
Settings and Coverage Pattern

Hold Time:	5s	30s	1min	3min	5min	10min	20min	30min	<p>Note: For instruction on changing settings via DIP switch or remote control, see the MWOSR installation instructions.</p> <p>Note: The daylight sensor is active only when the luminaire is completely off.</p> <ul style="list-style-type: none"> • Motion detection : 1.6-9.8 ft/s (0.5~3m/s) • Detection angle : 360°
DIP Switch:	X	X	X	X			X	X	
Handheld Remote:	X	X	X	X	X	X	X	X	
Detection Sensitivity:	25%	50%	75%	100%					
DIP Switch:		X		X					
Handheld Remote:	X	X	X	X					
Daylight Sensor:	5lux	15lux	30lux	50lux	100lux	150lux	Disable		
DIP Switch:				X	X	X	X		
Handheld Remote:	X	X	X	X	X	X	X		
Stand-by Period:	0s	10s	1min	3min	5min	10min	30min	Disable	
DIP Switch:	X		X		X	X	X	X	
Handheld Remote:	X	X	X	X	X	X	X	X	
Stand-by Dimming Level	10%	20%	30%	50%					
DIP Switch:	X	X	X	X					
Handheld Remote:	X	X	X	X					

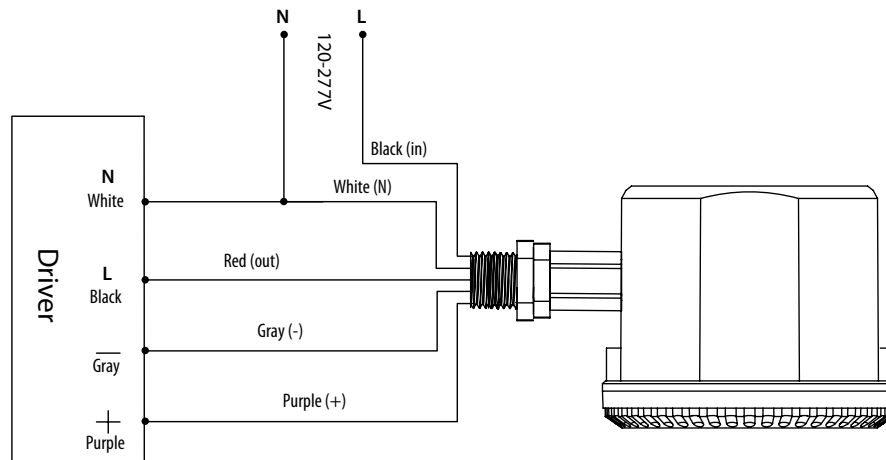
Default DIP Switch Settings

Unless the customer specifies a different setting the microwave sensors will ship from NICOR as shown below:

- Detection area will be set at 50% (12.5 ft. radius)
- Hold time will be set at 3 minutes
- Stand-by period will be set to 5 minutes
- Stand-by dimming level will be set to 20% dim
- Daylight sensing will be set to disabled mode.



Wiring Information



This device complies with part 15 of the FCC Rules. Operation is subject to the following two conditions: (1) This device may not cause harmful interference, and (2) this device must accept any interference received, including interference that may cause undesired operation.

NOTE: This equipment has been tested and found to comply with the limits for a Class C digital device, pursuant to part 15 of the FCC Rules. These limits are designed to provide reasonable protection against harmful interference when the equipment is operated in a commercial environment. This equipment generates, uses, and can radiate radio frequency energy and, if not installed and used in accordance with the instruction manual, may cause harmful interference to radio communications. Operation of this equipment in a residential area is likely to cause harmful interference in which case the user will be required to correct the interference at his own expense.